



This addendum accompanies your equipment documentation and is additional information concerning the heart rate features for your equipment and console.

***Important***

*The heart rate features are intended for reference only. They may not be accurate for every user or at every speed and are not intended for use as a medical device. Holding the heart rate handle touch sensor while exercising at higher intensity may also decrease accuracy of the heart rate reading and is not recommended. Please also read your product documentation and visit:  
[www.precor.com/en-us/customer-service/faq](http://www.precor.com/en-us/customer-service/faq).*

# Operating and Maintaining the P30 Console





# Operating and Maintaining the P30 Console

**PRECOR®**

# Edition Information

OPERATING AND MAINTAINING THE P30 CONSOLE

P/N 301096-201 rev C

Copyright © June 2011 Precor Incorporated. All rights reserved. Specifications subject to change without notice.

## Trademark Note

Precor, AMT, and EFX are registered trademarks and Preva is a trademark of Precor Incorporated. Other names in this document may be the trademarks or registered trademarks of their respective owners.

## Intellectual Property Notice

All rights, title, and interests in and to the software of the Preva Business Suite, the accompanying printed materials, any copies of such software, and all data collected via the Preva Business Suite, are exclusively owned by Precor or its suppliers, as the case may be.

Precor is widely recognized for its innovative, award-winning designs of exercise equipment. Precor aggressively seeks U.S. and foreign patents for both the mechanical construction and the visual aspects of its product design. Any party contemplating the use of Precor product designs is hereby forewarned that Precor considers the unauthorized appropriation of its proprietary rights to be a very serious matter. Precor will vigorously pursue all unauthorized appropriation of its proprietary rights.

Precor Incorporated  
20031 142nd Ave NE, P.O. Box 7202  
Woodinville, WA 98072-4002  
1-800-347-4404

**<http://www.precor.com>**

# Important Safety Instructions

This apparatus (hereinafter referred to as the console) is intended to be shipped with new Precor exercise equipment (hereinafter referred to as the base unit). It is not packaged for individual sale.

**WARNING** To prevent injury, the console must be attached securely to the base unit following all assembly and installation instructions shipped with the base unit. The console is intended to be connected to AC mains power through the furnished power supply ONLY. It should be powered on only when installed as described in the assembly and installation instructions shipped with the base unit. The console is intended for use only with Precor fitness equipment, not as a standalone device.

## Safety Precautions

Read all instructions in the documentation provided with your exercise equipment before installation of this device including all assembly guides, user guides, and owner's manuals.

Always follow basic safety precautions when using this equipment to reduce the chance of injury, fire, or damage. Other sections in this manual provide more details of safety features. Be sure to read these sections and observe all safety notices. These precautions include the following:

- Read all instructions in this guide before installing and using the equipment and follow any labels on the equipment.
- Make sure all users see a physician for a complete physical examination before they begin any fitness program.

- *Il est conseillé de subir un examen médical complet avant d'entreprendre tout programme d'exercice. Si vous avez des étourdissements ou des faiblesses, arrêtez les exercices immédiatement.*
- Do not allow children, or people unfamiliar with the operation of this equipment, on or near it. Do not leave children unsupervised around the equipment.
- Make sure all users wear proper exercise clothing and shoes for their workouts and avoid loose or dangling clothing. Users should not wear shoes with heels or leather soles, and they should check the soles of their shoes to remove any dirt and embedded stones. They should also tie long hair back.
- Never leave the equipment unattended when it is plugged in. Unplug the equipment from its power source when it is not in use, before cleaning it, and before providing authorized service.  
**Note:** The optional power adapter is considered a power source for self-powered equipment.
- Use the power adapter provided with the equipment. Plug the power adapter into an appropriate, grounded power outlet as marked on the equipment.
- Care should be taken when mounting or dismounting the equipment.
- Read, understand, and test the emergency stop procedures before use.
- Keep the power cord or optional power adapter and plug away from heated surfaces.
- Route power cables so that they are not walked on, pinched, or damaged by items placed upon or against them, including the equipment itself.
- Ensure the equipment has adequate ventilation. Do not place anything on top of or over the equipment. Do not use on a cushioned surface that could block the ventilation opening.
- Assemble and operate the equipment on a solid, level surface.

- Proper Location for Equipment
  - For all equipment other than treadmills: Locate at least 40 inches (1 meter) away from walls or furniture on either side of the equipment, and 40 inches (1 meter) away from objects behind the equipment.
  - For treadmills: Locate at least 40 inches (1 meter) away from walls or furniture on either side of the treadmill, and at least 80 inches (2 meters) away from objects behind the treadmill.

**Important:** *These location standards should also be used when positioning equipment away from sources of heat, such as radiators, heat registers, and stoves. Avoid temperature extremes.*

- Keep equipment away from water and moisture. Avoid dropping anything on or spilling anything inside the equipment to prevent electric shock or damage to the electronics.
- When using the treadmill, always attach the safety clip to your clothing before beginning your workout. Failure to use the safety clip may pose a greater risk of injury in the event of a fall.
- Do not operate electrically powered equipment in damp or wet locations.
- Never operate this equipment if it has a damaged cord or plug, if it is not working properly, or if it has been dropped, damaged, or exposed to water. Call for service immediately if any of these conditions exist.
- Maintain the equipment to keep it in good working condition, as described in the *Maintenance* section of the assembly and maintenance guide. Inspect the equipment for incorrect, worn, or loose components, and then correct, replace or tighten prior to use.
- If you plan to move the equipment, obtain help and use proper lifting techniques.
- Equipment Weight Restrictions: Do not use the treadmill if you weigh more than 500 pounds (225 kg). If you weigh more than 350 pounds (160 kg), do not run on the treadmill. For all other fitness equipment, the weight limit is 350 pounds (160 kg).
- Use the equipment only for its intended purpose as described in this manual. Do not use accessory attachments that are not recommended by Precor. Such attachments may cause injuries.



- Do not operate the equipment where aerosol (spray) products are being used or where oxygen is being administered.
- Do not use outdoors.
- Do not attempt to service the equipment yourself, except to follow the maintenance instructions in this manual.
- Never drop or insert objects into any opening. Keep hands away from moving parts.
- Do not set anything on the stationary handrails, handlebars, control console, or covers. Place liquids, magazines, and books in the appropriate receptacles.
- Do not lean on or pull on the console at any time.



**CAUTION: DO NOT remove the cover, or you may risk injury due to electric shock. Read the assembly and maintenance guide before operating. There are no user-serviceable parts inside. Contact Customer Support if the equipment needs servicing. For use with single phase AC power only.**

## Hazardous Materials and Proper Disposal

The batteries within self-powered equipment contain materials that are considered hazardous to the environment. Federal law requires proper disposal of these batteries.

If you plan to dispose of your equipment, contact Precor Commercial Products Customer Support for information regarding battery removal. Refer to *Obtaining Service*.

## Product Recycling and Disposal

This equipment must be recycled or discarded according to applicable local and national regulations.

Product labels, in accordance with European Directive 2002/96/EC concerning waste electrical and electronic equipment (WEEE), determine the framework for the return and recycling of used equipment as applicable throughout the European Union. The WEEE label indicates that the product is not to be thrown away, but rather reclaimed upon end of life per this Directive.

In accordance with the European WEEE Directive, electrical and electronic equipment (EEE) is to be collected separately and to be reused, recycled, or recovered at end of life. Users of EEE with the WEEE label per Annex IV of the WEEE Directive must not dispose of end of life EEE as unsorted municipal waste, but use the collection framework available to customers for the return, recycling, and recovery of WEEE. Customer participation is important to minimize any potential effects of EEE on the environment and human health due to the potential presence of hazardous substances in EEE. For proper collection and treatment, refer to *Obtaining Service*.

## Regulatory Notices for Cardiovascular Exercise Equipment

The regulatory information in this section applies to the exercise equipment and its control console.

### Safety Approvals for Cardiovascular Equipment

Precor equipment has been tested and found to comply with the following applicable safety standards.

#### Cardiovascular Type Equipment:

- CAN/CSA, IEC, EN 60335-1 (Household and similar electrical appliances - Safety)
- EN 957 (Stationary training equipment, class S/B compliant equipment)

### Radio Frequency Interference (RFI)

This Precor exercise equipment conforms to the following national standards defining acceptable limits for radio frequency interference (RFI).

#### Federal Communications Commission, Part 15

This equipment has been tested and found to comply with the limits for a Class A digital device, pursuant to Part 15 of the FCC Rules. These limits are designed to provide reasonable protection against harmful interference in a commercial installation. The equipment generates, uses, and can radiate radio frequency energy and, if not installed and used in accordance with the owner's manual instructions, can cause harmful interference to radio communications.

Operation is subject to the following two conditions: (1) this device may not cause harmful interference, and (2) this device must accept any interference received, including interference that may cause undesired operation.

**WARNING** Per FCC rules, changes or modifications not expressly approved by the manufacturer could void the user's authority to operate the equipment.

### Industry Canada

This device complies with RSS-210:2007 of the Spectrum Management & Telecommunications Radio Standards Specification. Operation is subject to the following two conditions: (1) this device may not cause harmful interference, and (2) this device must accept any interference received, including interference that may cause undesired operation.

This Class A digital apparatus complies with Canadian ICES-003.

*Cet appareil numérique de la classe A est conforme à la norme NMB-003 du Canada.*

**ATTENTION: Haute Tension**  
**Débranchez avant de réparer**

### European Applications

CE compliance is claimed to the following directives:

- 2004/108/EC EMC Directive
- 2006/95/EC LVD Directive
- 2002/95/EC RoHS Directive

Directive compliance has been verified to the following standards:

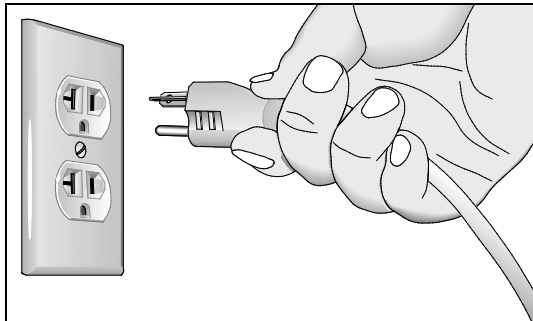
- EN 55022
- EN 55024
- EN 60335-1
- EN 60065 (P80 and PVS)

## Electrical Recommendations: 120 V and 240 V Treadmills

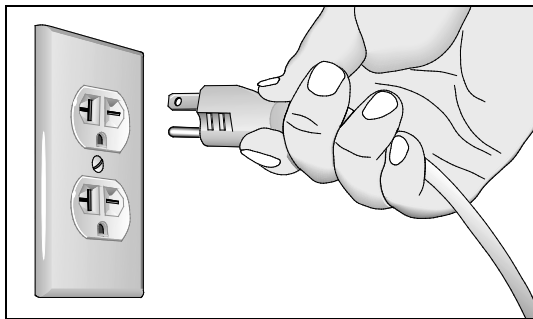
**Note:** This is a recommendation only. NEC (National Electric Code) guidelines or local region electric codes must be followed.

You should have received a power cable that meets your local electrical code requirements along with the equipment. Precor treadmills must be connected to a 20 amp individual branch circuit that can be shared only with one PVS. If you need additional help with the power connections contact your Precor authorized dealer.

**Important:** An individual branch circuit provides a hot conductor and neutral conductor to a receptacle. The conductors must not be looped, "daisy-chained", or connected to any other conductors. The circuit must be grounded according to NEC guidelines or local region electric codes.



**Figure 1: North American 120-volt, 20-amp power receptacle**



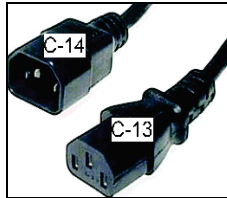
**Figure 2: North American 240-volt, 20-amp power receptacle**

## Electrical Recommendations: All Equipment Excluding Treadmills

**Note:** This is a recommendation only. NEC (National Electric Code) guidelines or local region electric codes must be followed.

For equipment fitted with a P80 console or Personal Viewing System (PVS) screen a separate power connection is required. For a 20 amp branch circuit up to 10 screens can be connected. If the branch circuit has any other devices plugged into the circuit the number of screens must be reduced by the wattage of the other devices.

**Note:** The typical splitter power cords that have IEC-320 C13 and C14 plugs have a recommended maximum capacity of five screens.



**Figure 3: IEC-320 C13 and C14 plugs**

## Obtaining Service

Do not attempt to service the equipment except for maintenance tasks. If any items are missing, contact your dealer. For more information regarding customer support numbers or a list of Precor authorized service centers, visit the Precor web site at <http://www.precor.com>.

For the most current manuals, go to <http://www.precor.com>.

# Table of Contents

|  |           |
|--|-----------|
| <b>Important Safety Instructions .....</b>                             | <b>3</b>  |
| Safety Precautions.....  | 3         |
| Hazardous Materials and Proper Disposal.....                           | 6         |
| Product Recycling and Disposal .....                                   | 6         |
| Regulatory Notices for Cardiovascular<br>Exercise Equipment .....      | 7         |
| Electrical Recommendations:<br>120 V and 240 V Treadmills.....         | 9         |
| Electrical Recommendations: All Equipment<br>Excluding Treadmills..... | 10        |
| Obtaining Service.....   | 10        |
| <br>   |           |
| <b>Getting Started .....</b>   | <b>13</b> |
| Activating the Console for Self-Powered Equipment .....                | 13        |
| Identifying Parts of the Console.....                                  | 15        |
| <br>   |           |
| <b>Setting Up the Console .....</b>                                    | <b>19</b> |
| System Settings.....   | 19        |
| Setting Club Parameter Values.....                                     | 20        |
| Viewing the Informational Displays .....                               | 25        |
| User ID Entry with CSAFE Equipment.....                                | 28        |
| <br>   |           |
| <b>Introducing Users to the P30 Console.....</b>                       | <b>31</b> |
| Using the Touch Heart Rate Feature .....                               | 31        |
| Using a Chest Strap Transmitter.....                                   | 33        |
| Using the Treadmill Safety Clip .....                                  | 33        |
| Treadmill Auto Stop™ (Automatic Stop) Function.....                    | 35        |
| <br>   |           |
| <b>Starting a Workout .....</b>  | <b>37</b> |
| Starting a Preset Programmed Workout.....                              | 37        |
| Setting Options.....   | 38        |
| Pausing and Resuming an Exercise Session .....                         | 39        |
| Ending a Session.....  | 40        |
| Programs .....   | 42        |
| <br>   |           |
| <b>Maintenance .....</b>   | <b>45</b> |
| Cleaning the Console and Display .....                                 | 45        |



# Getting Started

The P30 console offers administrators the ability to set default values that meet their specific needs. These settings include items like language, units of measure, and setting a maximum allowed workout time for each piece of equipment.

## Activating the Console for Self-Powered Equipment

Precor equipment is either self-powered or externally powered using an optional power adapter. Self-powered equipment requires the user exercise to initialize the console. This section provides more detail about powering equipment.

### Activating the Console for Self-Powered Equipment

On self-powered equipment, when a user starts exercising, the console initializes and displays the Welcome banner. A minimum rate of motion must be maintained for the Welcome banner to appear. The words PEDAL FASTER (or the equivalent message depending on the equipment type) appear in the display when the rate of motion drops below the minimum requirements.

The equipment saves its battery charge by moving into a shutdown mode. If the user does not maintain the minimum rate of motion, a 30-second shutdown process begins.

In this mode, the console displays a countdown indicator and ignores all keypresses. If no movement is detected or the rate of motion remains below the minimum, the indicator changes as the countdown continues.

**Note:** The user can resume exercising before the countdown period elapses and the program will continue from the point at which it was paused.



## Optional Use of the Power Adapter

An optional AC power adapter provides sustained power to the equipment. This adapter allows you to change settings without having to pedal the equipment. To purchase the power adapter, contact your dealer.

If you purchase the optional power adapter, you must also purchase the internal cable kit. The kit supplies the cable, bracket, and fasteners that connect the power adapter to the lower electronics board.

**CAUTION: The internal cable kit must be installed by authorized service personnel. Do not attempt installation on your own as you could void the Precor Limited Warranty. For more information, refer to *Obtaining Service*.**

**Important:** *If this equipment includes a P80 console, the optional power adapter and the internal cable kit must still be installed to provide continuous power to the base unit and support its internal battery.*

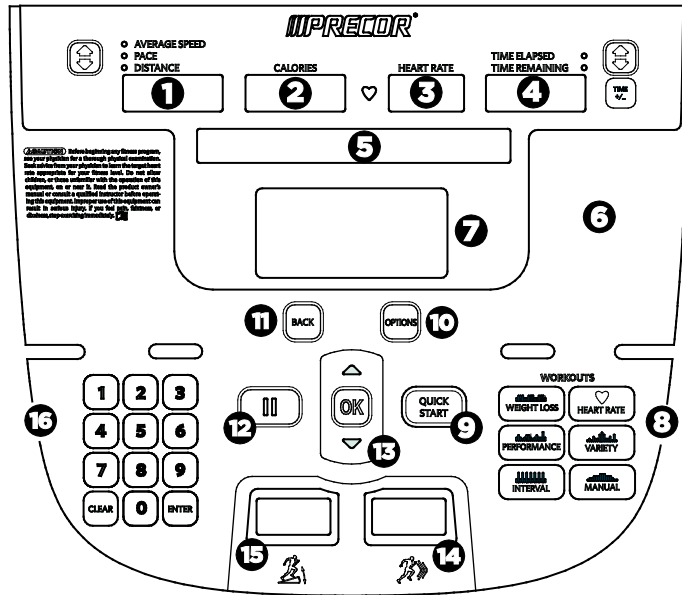
Once the internal cable kit is installed, you can plug the optional power adapter into the equipment. Plug the opposite end into the appropriate power source for your equipment (120 V or 240 V). Review the safety instructions found at the beginning of this manual before using the power adapter.

**CAUTION: When the optional power adapter is in use, make sure that the power supply cord does not create a safety hazard. Keep it out of the way of traffic and moving parts. If the power supply cord or power conversion module is damaged, it must be replaced.**

The control console functions differently when the power adapter is connected. Because the power adapter provides a constant source of power, a user can pause for brief periods without initiating shutdown procedures. When the pause time limit expires and the user has not resumed exercising, the console returns to the Welcome screen. The default pause time is 30 seconds for all fitness equipment. Refer to the manual for your control console for instructions on setting or changing the pause time limit.

## Identifying Parts of the Console

The following diagram provides information about the console keys. The number and actions of the console keys may differ slightly depending on the type of equipment.



**Figure 4: P30 console keys**

**Table 1. Parts of the console**

| Number   | Part Name                         | Details  |
|----------|-----------------------------------|--|
| <b>1</b> | Average Speed<br>Pace<br>Distance | Use the ▲ or ▼ arrows to change which item you want to display |
| <b>2</b> | Calories                          | Displays the number of calories you have burned                |
| <b>3</b> | Heart Rate                        | Displays your heart rate                                       |
| <b>4</b> | Time Elapsed<br>Time Remaining    | Use the ▲ or ▼ arrows to change how the time is displayed      |
| <b>5</b> | Upper Text Display                | Scrolls information to guide the user                          |

| Number   | Part Name   | Details   |
|----------|---|---|
| <b>6</b> | <ul style="list-style-type: none"> <li>• Muscle Monitor - EFX</li> <li>• Stride Length - AMT</li> <li>• Rate per Minute - Climber</li> <li>• &lt;blank&gt; - Bike, Treadmill</li> </ul> | <ul style="list-style-type: none"> <li>• The Muscle Monitor displays the muscles used to perform that workout.</li> <li>• Stride Length describes the length of your steps during a workout.</li> <li>• Rate per Minute displays the number of meters, feet, or steps that a user has gained during a workout.</li> </ul>   |
| <b>7</b> | Lower Display   | Displays graphical information about your workout progress  |
| <b>8</b> | Workouts  | <ul style="list-style-type: none"> <li>• Manual: Available on all equipment</li> <li>• Heart Rate: Available on all equipment</li> <li>• Interval: Available on all equipment</li> <li>• Weight Loss: Available on all equipment except AMT</li> <li>• Variety: Available on all equipment except AMT</li> <li>• Performance: Available on all equipment except AMT</li> <li>• Fat Burner - AMT only</li> </ul> |
| <b>9</b> | Quick Start   | Press to begin exercising   |

| Number | Part Name                          | Details  |
|--------|------------------------------------|--|
| 10     | Options - All equipment except AMT | <ul style="list-style-type: none"> <li>• Press to enter Goals, Language, Weight, Age, and Target Heart Rate information, More Options</li> <li>• Press <b>More Metrics</b> to view additional metric information for all equipment except the AMT</li> </ul> <p>Metrics:</p> <ul style="list-style-type: none"> <li>• Percent Complete</li> <li>• Time in Zone</li> <li>• Segment Time Remaining</li> <li>• Average Speed</li> <li>• Pace - Treadmill only</li> <li>• Calories per Minute</li> <li>• Calories per Hour</li> <li>• WATTS</li> <li>• METS</li> <li>• Target HR</li> <li>• Average HR</li> <li>• Elevations - Treadmill and climber only</li> <li>• Stride Length - AMT only</li> <li>• Show All</li> </ul> |
| 10     | Metrics key- AMT only              | Use to view Metric information on AMT  |
| 11     | Back                               | Returns user to the previous screen  |
| 12     | Pause                              | Use to momentarily stop machine during a workout   |
| 13     | OK and Up/Down arrows              | Used to navigate options and settings  |
| 14     | Speed or Intensity Indicator       | AMT, bike, treadmill, EFX (single), and EFX (dual)   |
| 15     | Incline or Resistance Indicator    | Treadmill, EFX (dual), and climber   |

| Number | Part Name  | Details   |
|--------|------------|---|
| 16     | Number pad | <p>Use to enter numerical information such as age, weight, and passwords.</p> <p>Press <b>Clear</b> to delete the numbers entered.</p> <p>Press <b>Enter</b> after you have entered numbers on this number pad.</p> |

# Setting Up the Console

Use the System mode to configure settings in ways that benefit your users and your facility. The System menu is visible only to administrators and registered service technicians. Changes made to these settings are saved to the fitness equipment.

The System Settings categories are:

- Club Settings
- Informational Display

## System Settings

System Setting features remain hidden from club patrons and can only be accessed using special keypresses. To view the System Settings, the equipment must be in the Welcome state and display the Welcome banner. To access the Welcome banner, you must power the equipment. For self-powered equipment, use the optional power adapter, otherwise you will have to maintain the minimum rate of motion. For more information on self-powered equipment, refer to *Activating the Console for Self-Powered Equipment*.

The equipment is in the Welcome state when it is on, but not actually in use. This means that there is no exercise session, data entry, or diagnostic operation in progress.

When the equipment is in the Welcome state:

- **PRECOR** scrolls on the lower text display. **SELECT A WORKOUT OR PRESS QUICKSTART TO BEGIN** scrolls in the upper text display.
- The heart rate signal is the only segment activated.
- On the treadmill, the belt is not moving and the lift motor is off.

**Note:** On self-powered equipment, the console initializes when you begin working out. You must maintain a minimum rate of motion for the Welcome banner to appear.

The changes made in System Setting modes become the default settings when the display resets to the Welcome banner.

**CAUTION:** If you change the Unit of Measure display on the treadmill, check the speed setting to verify that it is correct.

**To view the Club Parameters settings:**

1. At the Welcome banner, press **Pause**.



2. Press the following number keys in sequence to enter the password:  
**5 6 5 1 5 6 5**
3. Press **OK**.  
The Set Club Parameters banner appears.

**Table 2. Navigational keys for the system setting modes**

| Key    | Function  |
|--------|---|
| ▲ or ▼ | Guides you through the settings menu and selections.              |
| OK     | Select a menu selection.  |
| BACK   | Returns to the previous menu level without saving changes.        |
| PAUSE  | Exits the System Settings mode and returns to the Welcome banner. |

## Setting Club Parameter Values

Use this information to customize the equipment for your setting.

### Safety Code (Treadmill only)

**Value Range:** Enabled or Disabled

(Default: Disabled)

When the equipment is shipped from the factory, the safety code protection feature is disabled. If you enable the safety code, your users will need to enter a four digit number to begin their exercise session and start the running belt. The code is **1 2 3 4**.

### Select Language (All Equipment)

**Value Range:** English, Deutsch, Espanol, Francais, Netherlands, Portugues, Rucckijj, and Italiano

(Default: English)

Select your preferred language for the console display.

**Note:** Programming prompts are not affected by language selection. The prompts in this section continue to appear in English.

### Set Units (All Equipment)

**Value Range:** U.S. or Metric

(Default: U.S.)

The equipment can display measurements in either Metric or U.S. Standard.

**Important:** *If you change the Unit of Measure on a treadmill, be sure to check the speed setting to verify that it is correct.*



### Set Max Workout Time (All Equipment)

**Value Range:** 1 to 240 minutes

(Default: 60 minutes)

You can set a maximum workout time per session. Choose a time limit between 1 and 240 minutes, or select **No Limit** if you do not want to set a time limit. For example, if you set the time limit to 20 minutes, users can only enter a workout time between 1 and 20 minutes.

Select **No Limit** if you do not want to set a time limit.

**Note:** The Military Performance Programs will not complete if the maximum exercise time limit is less than 40 minutes. Set the maximum time about 40 minutes if you have enabled these performance programs.

### Set Max Pause Time (All Equipment)

**Value Range:** 1 to 120 seconds

(Default: 120 seconds)

This setting limits how long equipment remains in a paused banner during a workout before it resets.

**Note:** The optional power adapter must be connected on self-powered equipment to establish a definitive pause time limit. If the optional power adapter is not attached and the rate of motion drops below the minimum requirements, the equipment begins its 30-second shutdown, effectively eliminating pause mode.

### Set Cool Down Time (All Equipment)

**Value Range:** 0 to 5 minutes

(Default: 5 minutes)

Select the maximum amount of time the equipment remains in the cool down mode. The cool down time is the period of time following the completion of a program when the user exercises at a reduced work rate.

## Creating a Custom Workout

**Value Range:** ON or OFF

(Default Value: OFF)

Create a customized program for your workout.

**Note:** This option is not available on all equipment.

### To create a custom program:

1. At the **SET CUSTOM PROGRAM** prompt, press **OK**.  
The program profile appears in the display and a blinking column indicates your starting point.
2. Press the down arrow key on the navigational keypad, to select the column you want to change.
3. To change the height of the column, refer to the following table.

**Table 3. Custom Program keys**

| Equipment      | Key Name   | Description  |
|----------------|------------|--|
| Treadmill      | INCLINE    | Changes the column height and affects the Custom Program incline.                |
| EFX (835 only) | INCLINE    | Changes the column height and affects the Custom Program ramp incline.           |
| Bike           | RESISTANCE | Changes the column height and affects the Custom Program pedal resistance.       |
| Climber        | RESISTANCE | Changes the height of the column and affects the Custom Program step resistance. |

4. When you have set the column height, press the down arrow key on the navigational keypad to move to the next column. You can press the up arrow key to return to previous columns.
5. Continue adjusting the profile for each column.

**Note:** Two custom programs are available on the treadmill. Some Precor products contain only one custom program. The prompt indicates which one you have accessed. To select a second custom program (treadmill only), press the down arrow key on the navigational keypad, before pressing OK in step 6.

The Set Custom Program 2 default value is **Disabled**.

6. When you have finished creating your program, press **OK** to save the program profile, and return to the Welcome banner. Press **BACK**, to exit this setting without saving your changes to the custom profile.

### Set Speed Limit (Treadmill only)

**Value Range:** Full speed range of equipment

(Default: Maximum speed)

This setting limits how fast the running belt moves and, consequently, the number of speed settings that are available to the user. Use it to set the maximum speed that a user can enter when using the equipment.

The speed is displayed in miles per hour (mph) or kilometers per hour (kph) depending upon the units of measure (U.S. Standard or Metric) selected earlier. The speed ranges values from 0.5 to 16 mph (0.8 to 25.5 kph).

### Set Incline Limit (Treadmill only)

**Value Range:** Full grade range of equipment

(Default: Maximum grade possible)

Set the maximum percent incline that a user can enter when using the equipment.

### Hidden Programs (Treadmill only)

**Value Range:** Show Programs or Hide Programs

(Default: Hide Programs)

When set to **Show Programs**, all Performance Programs are available to a user through the PERFORMANCE key. These programs are: Gerkin Fitness Test, USAF PRT, NAVY PRT, ARMY PFT, USMC PFT, and Federal Law Enf. PEB.

If set to **HIDE PROGRAMS**, when the user presses **PERFORMANCE**, the message **WORKOUT NOT AVAILABLE** will scroll in the upper text display.

## Set Resistance Range (Bike only)

**Value Range:** High, Medium, or Low

(Default: High)

You can set a low, medium, or high base resistance on the recumbent or upright bikes. There are 25 levels of resistance within each base setting, but the base setting affects the overall resistance range. The following ranges are available:

- High: Provides full resistance range.
- Medium: Provides approximately two thirds of the resistance that is available within the high group setting.
- Low: Provides approximately one third of the resistance that is available within the high group setting.

## Set Crossramp Auto Level (EFX Dual only)

**Value Range:** 0 to 20

(Default: 10)

Use this setting to choose a specific ramp incline so that the EFX automatically returns to that incline at the end of a workout session.

## Viewing the Informational Displays

Information Display settings are values that provide you with information about the equipment. Types of information contained in this setting group include, an event log, software and equipment serial numbers, and usage information.

### To view the System settings:

1. At the Welcome banner, press **Pause**.



2. Press the following number keys in sequence to enter the password:

**6 5**

3. Press **Enter**.

Use the following table to set up customized Informational Display values.

**Table 4. Informational Displays values**

| <b>Product</b> | <b>Value</b>               | <b>Information provided</b>  |
|----------------|----------------------------|--|
| All            | ODOMETER                   | <p>The odometer value correlates to the type of equipment and the standard of units, U.S. or Metric, selected in the programs.</p> <ul style="list-style-type: none"> <li>• Treadmill: Displays the number of cumulative miles or kilometers logged to date.</li> <li>• EFX or AMT: Displays the number of total strides logged to date.</li> <li>• Bike: Displays the number of total revolutions logged to date.</li> <li>• Climber: Displays the number of floors climbed.</li> </ul> |
| All            | HOUR METER                 | <ul style="list-style-type: none"> <li>• Displays the number of hours that the equipment has been in use.</li> <li>• The equipment tracks the elapsed minutes, but the value that appears is truncated to the nearest full hour.</li> </ul>  |
| All            | UPPER BOOT SW PART NUMBER  | Upper board application software part number and version   |
| All            | UPPER BASE SW PART NUMBER  | Upper base application software version  |
| All            | LOWER BASE SW PART NUMBER  | Lower application software version   |
| All            | METRICS BOARD              | Software number on the Metrics Board   |
| AMT            | STRIDE DIAL SW PART NUMBER | Stride Dial software number  |
| All            | SERIAL NUMBER              | Used to determine exact model and type of equipment  |
| All            | USAGE LOG                  | <ul style="list-style-type: none"> <li>• The number of times each program has been used and displays the associated cumulative minutes.</li> <li>• Helpful in determining user preferences in program selection.</li> </ul>  |

| Product | Value     | Information provided  |
|---------|-----------|---|
| All     | EVENT LOG | Displays any event codes that may have been detected by the software. For more information, refer to <i>Event Log</i> . |

## Event Log

The event log holds a maximum of 30 events. After the log reaches 30 events, older events are erased to make room for newer ones.

Each event log entry contains the following information:

- Event number
- Odometer value when the event occurred
- Hour meter value at the time the event occurred
- Current drawn by the motor when the event occurred (treadmill only)

The following table contains a list of events detectable by the software.

**Table 5. Event log numbers and descriptions**

| Event Number | Description of Event                          |
|--------------|---|
| 00           | Upper PCA memory location event               |
| 02           | RAM location event                            |
| 03           | EEPROM checksum event                         |
| 05           | Depressed key at power up                     |
| 09           | Lower PCA memory test event                   |
| 10           | Line Frequency out of acceptable range        |
| 11           | Watchdog (Upper PCA) low voltage power        |
| 12           | Watchdog (Lower PCA) low voltage power        |
| 13           | Fan at incorrect speed (version 1 treadmills) |
| 14           | Fan fail (Lower PCA)                          |
| 15           | AC input voltage too high                     |
| 16           | AC input voltage too low                      |
| 20           | Too many maximum power requests in one second |
| 21           | Too many maximum consecutive power requests   |
| 22           | No motor pulses at start up                   |

| <b>Event Number</b> | <b>Description of Event</b>                               |
|---------------------|---|
| 23                  | Motor pulses missing after start up                       |
| 24                  | Reduce speed requested, speed is not reducing             |
| 26                  | Motor pulse width incorrect                               |
| 27                  | Too much drive motor current                              |
| 28                  | Temperature too high                                      |
| 29                  | Excessive AC input current                                |
| 30                  | Communications event lower board to upper board           |
| 31                  | Incorrect Communications event upper board to lower board |
| 32                  | Communication event upper board to lower board            |
| 33                  | Incorrect communications event lower board to upper board |
| 40                  | Lift motion detected                                      |
| 42                  | Lift position value out of range                          |
| 43                  | Zero switch not found                                     |
| 44                  | Un-commanded lift motion                                  |
| 45                  | Lift going in the wrong direction                         |
| 50                  | Too much brake (magnet) current                           |
| 53                  | Cannot read target, cannot find home switch               |
| 54                  | Target pulses lost during operation                       |
| 55                  | Brake home switch activated unexpectedly                  |
| 60                  | Auto Stop sensor failure (treadmill)                      |
| 61                  | Auto Stop not present (treadmill)                         |

## User ID Entry with CSAFE Equipment

This equipment is fully compatible with CSAFE protocols. When the equipment is connected to a CSAFE master device, the user is prompted to press ENTER and begin an identification process. The user ID is displayed as five zeros and indicates the starting point. The following table describes key functions while in CSAFE mode.

**Table 6. CSAFE access keys**

| <b>Keys</b>   | <b>Function</b>  |
|---------------|--|
| Number Keypad | Use the number keys to enter a user ID. Once you have entered the user ID number, press <b>ENTER</b> or <b>OK</b> to submit the user ID. |
| CLEAR         | Erases individual numbers in the user ID from right to left.   |
| ENTER or OK   | Submits the user ID.<br><b>Note:</b> User ID entry is bypassed when the user enters five zeros. No workout statistics are recorded.      |
| PAUSE         | Resets to the Welcome banner.  |

A message appears on the display and indicates when the user ID is accepted by the CSAFE master device. Once program selection is complete, the user can begin exercising.





# Introducing Users to the P30 Console

**CAUTION:** Before beginning any fitness program, see your physician for a thorough physical examination. Seek advice from your physician to learn the target heart rate appropriate for your fitness level.

The P30 console offers an easy-to-follow display and multiple programs to help people meet their exercise needs.

**Important:** Please review the following sections in this guide with your users before allowing them to use the fitness equipment:

- *Important Safety Instructions*
- *Getting Started*
- *Using the Safety Clip (for treadmill only)*

## Using the Touch Heart Rate Feature

**Note:** Touch heart rate performance may vary based on a user's physiology, fitness level, age, and other factors. You may experience an erratic readout if your hands are dry, dirty, or oily, or if the skin on your palms is especially thick. Wearing hand lotion can also cause an erratic readout. In addition, make sure that the sensors are clean to ensure proper contact can be maintained.

To use the touch heart rate feature, place the palm of your hands directly on the metal heart rate sensors on the equipment's handlebars. To ensure a more accurate heart rate readout, make sure you follow these tips:

- Both hands must grip the sensors for your heart rate to register.
- It takes a number of consecutive heart beats (15-20 seconds) for your heart rate to register.
- When gripping the sensors, do not grip tightly. Keep a loose, cupping hold. Holding the grips tightly can affect the reading.
- As you work out, your perspiration will help transmit your heart rate signal. If you have difficulty using the handheld grips to determine your heart rate, try the sensors again later in the workout to see if you can obtain a heart rate signal.
- If the touch heart rate feature does not work for you, Precor recommends that you use a chest transmitter strap.

### Heart Rate Target Zones

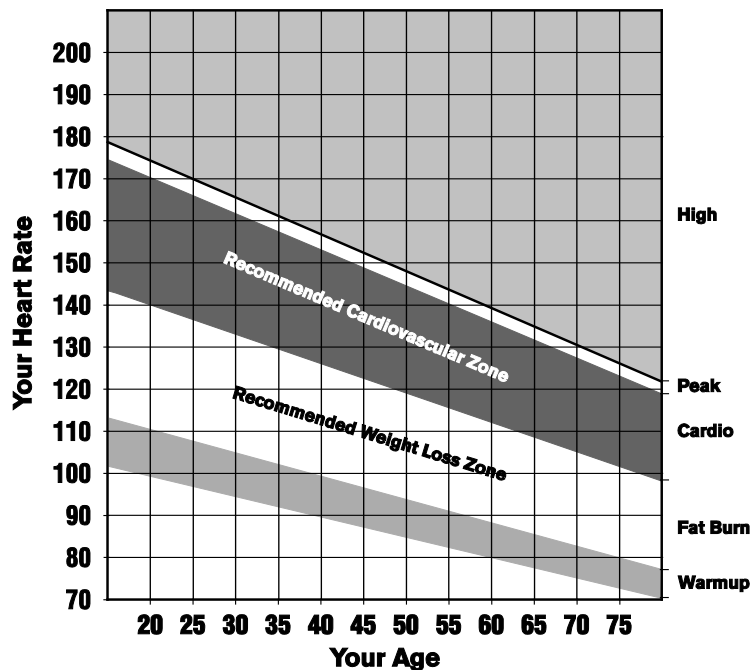


Figure 5: Heart rate target zones

**CAUTION:** Your heart rate should never exceed 85% of your maximum aerobic heart rate. Your maximum heart rate is equal to 220 minus your age.

## Using a Chest Strap Transmitter

**WARNING** Signals used by the Chest Strap Transmitter (or heart rate strap) may interfere with pacemakers or other implanted devices. Consult your physician and the manufacturers of your Chest Strap Transmitter and implanted device before using a Chest Strap Transmitter.

Wearing a chest strap transmitter during your workout provides steady heart rate information. For the equipment to detect your heart rate, you must grip the touch heart rate sensors or wear a chest strap transmitter while exercising. In the presence of both touch and wireless data, the touch data takes precedence and will display.

**Note:** To receive an accurate reading, the strap needs to be in direct contact with the skin on the lower sternum (just below the bust line for women).

### To use a chest strap transmitter:

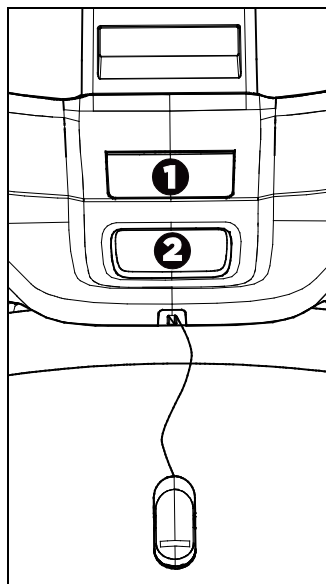
1. Carefully dampen the back of the strap with tap water.  
**Important:** Do not use deionized water. It does not have the proper minerals and salts to conduct electrical impulses.
2. Adjust the strap and fasten it around your chest. The strap should feel snug, not restrictive.
3. Make sure that the chest strap is right-side-up, lies horizontally across, and is centered in the middle of your chest.
4. Test the chest strap placement by checking the heart rate function on the equipment. If a heart rate is registering, your chest strap placement is correct. If the equipment does not register a heart rate, readjust the strap and recheck the heart rate function.

## Using the Treadmill Safety Clip

The treadmill is equipped with two different stop functions, which behave as follows:

| <i>If the user ...</i>  | <i>Then the treadmill belt ...</i> | <i>And the console ...</i>   |
|---|------------------------------------|--|
| Presses down on the red STOP button<br><b>2</b>   | Slows to a stop                    | Shows that the exercise workout is paused  |
| Pulls on the lanyard attached to the safety clip and trips the restart switch<br><b>1</b> | Slows to a stop                    | Shows the words PUSH TO RESET SWITCH and an arrow pointing to the Restart switch |

The restart switch is located just below the console and immediately behind the red **STOP** button, as shown in the following illustration. When it is tripped, the bar pops up, displaying the words **PUSH TO RESET SWITCH** on its front side. The treadmill does not operate while these words are visible.



**Figure 6: Restart switch**

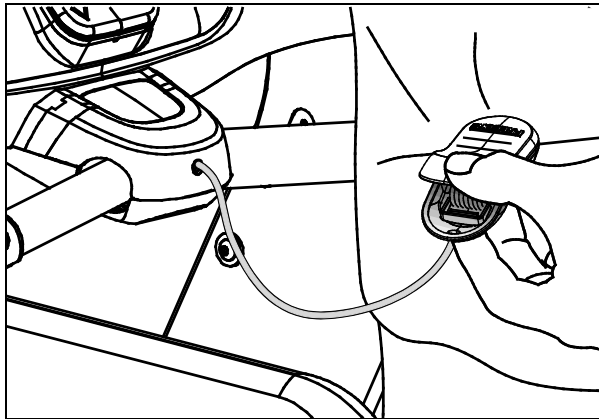
Instruct users on how important it is to use the safety clip while exercising on the treadmill, and demonstrate how they should attach it to their clothing near the waistline.

**If the restart switch trips during exercise, perform the following steps:**

1. Reattach the safety clip if necessary.
2. Press the restart switch down until it clicks, returning it to its normal position.

**Note:** If the restart switch trips, all information about the current workout is deleted.

3. Start the workout from the beginning, reducing the time as needed to account for the amount of exercise that has been completed.



**Figure 7: Attaching the safety clip**

## Treadmill Auto Stop™ (Automatic Stop) Function

**Important:** *The default setting for this feature is ON. An administrator can turn off this feature in the System Settings; however, Precor recommends it remain ON.*

The Auto Stop™ (Automatic Stop) feature is designed to bring the treadmill to a gradual stop when it is not in use. This might occur if a user steps off the treadmill before the end of a workout and leaves the treadmill running.

Sixty seconds after a treadmill workout starts or resumes, the equipment begins Auto Stop monitoring. If a user is detected, then no message appears, and the selected workout continues.

If no user is detected after an additional 30 seconds, the console displays the message **NO USER DETECTED, STOPPING IN 10 SECONDS** as notification of the pending stop. During the display of this message, a ten second countdown begins. If a user does not override the countdown, the belt comes to a gradual stop after the countdown is complete.

**Note:** Users weighing more than 90 pounds (41 kg) are detected within the speed and position limits of the feature. Users weighing 50 pounds (22.7 kg) to 89 pounds (40.5 kg) may not be detected depending on their speed and location. Always be aware of and follow the console's instructions for proper operation.

## Starting a Workout

**CAUTION: If you are using a treadmill, be sure to attach the security clip to your clothing before starting your workout.**

The equipment is in the Welcome state when the words **SELECT A WORKOUT OR PRESS QUICKSTART TO BEGIN** scroll across the scrolling upper text display and **PRECOR** scrolls on the lower text display.

If the equipment is connected to CSAFE, the words **SELECT A WORKOUT, PRESS QUICKSTART, OR ENTER TO BEGIN** scroll across the upper text display.

If anything else appears on the screen, press **Pause** to display the Welcome banner.

From this screen, there are two ways to begin a workout:

- Press **GO** (Quick Start™ method).  
This action launches the Manual program. Calculations, such as calories used, are based on a 150-lb (68 kg), 35-year old individual. You can complete a workout using this program with default values, or you can change workout settings.
- Press one of the preset workouts.

When a user reaches the club time limit during a workout, the workout limit in minutes appears before the words **CLUB TIME LIMIT REACHED, WORKOUT ENDING**, appear in the upper text display.



## Starting a Preset Programmed Workout

Preset workouts are a great way to tailor your workouts to your fitness goals, stay challenged, and add variety to your sessions. Most P30 equipment contains multiple preset workouts. These workouts include:

- Manual
- Heart Rate
- Interval
- Weight Loss (Fat Burner on some equipment)
- Variety
- Performance

Climber-specific programs are:

- City Steps
- Fat Burn
- Rolling Hill
- Steady Climb
- Pyramid

## Setting Options

Goal, Language, and Unit options can be set before you begin a workout. Once you begin a workout or press Quick Start, you can also enter Age and Weight, and a Target Heart Rate goal.

### **To choose a workout goal before you begin exercising:**

1. From the Welcome banner, press **OPTIONS**.  
Goal is the first option.
2. To choose the Goal option, press **OK**.  
Goal options are Time, Distance, and Calories.
3. Use the Up and Down arrows to increase or decrease your time, distance, or calorie goal.
4. Once you have entered a goal, press **OK**.
5. To continue to the next option category, Press **OPTIONS** again.

**To choose a language setting before you begin exercising:**

1. From the Welcome banner, press **OPTIONS**.
2. Press **OPTIONS** again to choose the Language option, and press **OK**.
3. Use the Up and Down arrows to navigate the list of available languages. To select a language, press **OK**.  
Language choices are: English, Deutsch, Espanol, Francais, Nederlands, Portugues, Rucckijj, and Italiano.
4. To continue to the next option category, press the **Up or Down** arrows.

**To choose a unit of measure before you begin exercising:**

1. From the Welcome banner, press **OPTIONS**.
2. Press **OPTIONS** twice to go **UNITS**.
3. Use the Up and Down arrows to select a unit of measure.
4. Once you have selected a unit of measure, press **OK**.

## Setting Options after You Begin a Workout

Once you begin a Quick Start workout or choose a Workout, you can enter your Weight and Age, and a Target Heart Rate goal. The Language and Units settings are also available.

**To enter your Age and Weight during a workout:**

1. Press **OPTIONS**.
2. Weight/Age is the first option. To choose this option, press **OK**.
3. Use the Up and Down arrows to increase or decrease your weight.
4. Once you have selected your weight, press **OK**.
5. Repeat steps 1 - 4 to enter your age.
6. To continue to the next option category, press the **Up or Down** arrows.

The Target Heart Rate option appears.

7. Enter a target heart rate goal, and press **OK**.

At this time, you can set Units and Language if you have not selected these options prior to beginning your workout.

## Pausing and Resuming an Exercise Session

When you interrupt a workout, the equipment responds in one of two ways, depending on how it is powered.

### Paused (Externally Powered Equipment)

When the session is paused, the belt speed is slowly reduced to zero, or the resistance is slowly reduced to the minimum. The lift motor is turned off leaving the incline or crossramp at its current position. Data entry is canceled.

When you press **Pause** on all non-treadmill equipment, it displays the summary screen with your workout metrics. After displaying the summary, it returns to the Welcome screen.

### Pending Shutdown (Self-Powered Equipment)

On self-powered machines, the paused state is equivalent to the pending shutdown state. When you stop working out, the equipment begins a 30 second countdown.

The accumulated metrics (e.g., time, strides, distance, calories) hold their current values and do not change. Data entry may not be started.

To restart the program, begin working out again. The resistance is reset to what it was when the program was paused.

If the equipment remains inactive for more than 30 seconds, the power is lost and the equipment bypasses the workout summary screen.

## Ending a Session

Cooling down is an important aspect of your workout because it helps reduce muscle stiffness and soreness by transporting excess lactic acid out of the working muscles. In addition, a three to five minute cool down allows your heart rate to return to its normal, resting state.

At the end of your workout, a Summary screen displays your average heart rate during your workout and your accumulated workout metrics.

If you performed a fitness test exercise program, an initial message presents a fitness score.

The next two messages display the user's average and maximum heart rate during the session. These messages are only displayed if heart rate data was acquired during the session, i.e., a valid heart rate number was displayed at least once during the session.

The summary state times out in two minutes, causing a return to the Welcome banner. If the machine is in a CSAFE Finished state then the summary state must last for at least the CSAFE timeout value, typically 10 seconds. If it has not lasted that long, then before returning to the Welcome banner, the word **RESETTING** appears until the CSAFE finished state ends.

Three different types of metrics are captured during a workout.

**Controlled Metrics** can be set and changed. They include:

- Resistance Level (AMT, EFX, bike)
- Speed (treadmill)
- Incline (treadmill)
- Steps/Minute (climber)

**Current Performance Metrics** describe the intensity of a workout in real time. They include:

- Calories/Minute, Calories/Hour
- Heart Rate
- Speed (treadmill, bike)
- Revolutions/Minute (bike)
- Strides/Minute (AMT, EFX)

**Accumulated Metrics** describe the overall performance throughout the entire exercise session. They include:

- Time:
  - Count-down Mode
  - Count-up Mode
- Calories
- Distance:
  - Average Strides/Minute (AMT, EFX)
  - Average Speed (treadmill, bike)
  - Floors (climber)

## Programs

Preset workouts are a great way to tailor your workouts to your fitness goals, stay challenged, and add variety to your sessions. In the following figures, the elevated areas show the work expenditure for each preset program.

### Manual

During this workout, resistance and speed changes are completely under your control. The profile is initially a flat line. Any increase or decrease made in one workout segment will increase or decrease all remaining portions by the same amount.

### Heart Rate

This workout computes your target heart rate based on the calculation, 60% of 220 minus your age; however, you can override this value. The equipment adjusts resistance and/or incline to maintain your target heart rate while you work out.

When a heart rate signal is not received, a heart shape with a question mark appears in the upper text display. Recheck your hand grip on the handheld sensors or the placement of your chest strap.

For the unit to detect your heart rate, you must grip the handheld heart rate sensors or wear a chest strap while exercising. In the presence of both handheld and wireless data, the handheld data takes precedence and displays.

## Interval

The Interval workout is primarily for conditioning your cardiovascular system. This workout is designed to raise and lower your heart rate in a repeating fashion for a user-defined period of time by alternating rest and work intervals. Workout intensity is adjustable.

## Weight Loss

The workout time is fixed at 28 minutes. The workout consists of four intervals, each lasting eight minutes. You can change the resistance at any time during the work interval.

## Variety

During this workout, resistance and speed vary throughout the workout in a random pattern.

## Performance

**Note:** When a user presses **PERFORMANCE**, the message **WORKOUT NOT AVAILABLE** will scroll in the upper text display, if the console is set to **HIDE PROGRAMS** in the Settings menu.

The Fitness Test, available by pressing the **PERFORMANCE** key, provides a means of comparing your fitness level with the official fitness test of the International Association of Firefighters (IAFF). It is written using the Gerkin Protocol, which is the basis for the official IAFF fitness test and part of their Wellness and Fitness Initiative.

During the test, the equipment gradually increases the incline and speed in specific stages. The keypads are disabled. Whatever stage you are at when the test ends determines your aerobic capacity and establishes your  $VO_2$  max. Once you complete the test, a fitness score appears as part of the workout summary.

### City Steps (Climber only)

The City Steps Program increases and decreases your step rate in stages. In each stage, the rate gradually rises to a peak and then falls quickly back to the starting rate. This pattern is repeated. You can override the settings for each column. Any increase or decrease made in one program segment will increase or decrease all remaining portions by the same amount.

### Fat Burn (Climber only)

This intense program is designed to burn fat and increase cardiovascular conditioning. Step rate fluctuates mildly within a high-intensity range. Anytime during the program, you can override the settings, and the remaining profile columns will change accordingly. The changes are applied throughout the remainder of the program.

### Rolling Hill (Climber only)

This cardio-conditioning program provides a high step rate. Like the Aerobic program, it involves several "peaks" and "valleys" in step rate; however, the dips in intensity during "rest" periods are smaller, resulting in more consistent intensity. You can override the settings for each column. The changes also raise or lower the columns on the remaining portion of the program profile.

### Steady Climb (Climber only)

The Steady Climb program slowly increases the step rate until it culminates at the end of the program. You can override the settings for each column. The changes also raise or lower the columns on the remaining portion of the program profile.

### Pyramid (Climber only)

The Pyramid Program slowly increases the step rate to a "peak" and then slowly decreases back to a slower rate. As the step rate increases, resistance is decreased and then increases as the step rate decreases. Any increase or decrease made in one program segment will increase or decrease all remaining portions by the same amount.

# Maintenance

To keep the equipment functioning properly, perform the minor maintenance tasks in this section at the intervals suggested. Failure to maintain the equipment as described in this section could void the Precor Limited Warranty.

**DANGER** To reduce the risk of electrical shock, always disconnect the equipment from its power source before cleaning it or performing any maintenance tasks. If the equipment uses an optional power adapter, disconnect the adapter.

## Cleaning the Console and Display

The console requires little maintenance once installed. Precor recommends that you clean the console before and after each exercise session.

### To remove dust and dirt from the console:

- Wipe all exposed surfaces with a soft cloth that you have moistened with a solution of 30 parts of water to 1 part of Simple Green® (for more information, visit [www.simplegreen.com](http://www.simplegreen.com)).

**Important:** Do not use any acidic cleaners. Doing so will weaken the paint or powder coatings and void the Precor Limited Warranty. Never pour water or spray liquids directly on the console or console's screen.

- It is important to avoid using any corrosive chemicals on the console or screen.
- Always dampen the cloth and then clean the screen. Be sure to spray the cleaning liquid onto the cloth, not the console, so that drips do not seep into the console.
- Apply the cleaner with a soft, lint-free cloth. Avoid using gritty cloths.



*Notes:*

*Notes:*

*Notes:*





Precor Incorporated  
20031 142nd Avenue NE  
P.O. Box 7202  
Woodinville, WA USA 98072-4002



P30 OM 301096-201 rev C, en  
28 June 2011

# Assembling and Maintaining the 835 Climber



**PRECOR**<sup>®</sup>



# Assembling and Maintaining the CLM 835 Climber

**PRECOR®**



# Edition Information

ASSEMBLING AND MAINTAINING THE 835 CLIMBER

P/N 300714-241 rev E

Copyright © February 2011 Precor Incorporated. All rights reserved. Specifications subject to change without notice.

## Trademark Note

Precor, AMT, and EFX are registered trademarks and Preva is a trademark of Precor Incorporated. Other names in this document may be the trademarks or registered trademarks of their respective owners.

## Intellectual Property Notice

All rights, title, and interests in and to the software of the Preva Business Suite, the accompanying printed materials, any copies of such software, and all data collected via the Preva Business Suite, are exclusively owned by Precor or its suppliers, as the case may be.

Precor is widely recognized for its innovative, award-winning designs of exercise equipment. Precor aggressively seeks U.S. and foreign patents for both the mechanical construction and the visual aspects of its product design. Any party contemplating the use of Precor product designs is hereby forewarned that Precor considers the unauthorized appropriation of its proprietary rights to be a very serious matter. Precor will vigorously pursue all unauthorized appropriation of its proprietary rights.

Precor Incorporated  
20031 142nd Ave NE, P.O. Box 7202  
Woodinville, WA 98072-4002  
1-800-347-4404

**<http://www.precor.com>**

# Important Safety Instructions

Read the following precautions thoroughly before you begin assembly, and save them afterward for future reference.

## Safety Precautions

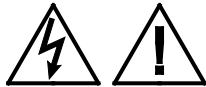
Always follow basic safety precautions when using this equipment to reduce the chance of injury, fire, or damage. Other sections in this manual provide more details of safety features. Be sure to read these sections and observe all safety notices. These precautions include the following:

- Read all instructions in this guide before installing and using the equipment and follow any labels on the equipment.
- Make sure all users see a physician for a complete physical examination before they begin any fitness program.
- *Il est conseillé de subir un examen médical complet avant d'entreprendre tout programme d'exercice. Si vous avez des étourdissements ou des faiblesses, arrêtez les exercices immédiatement.*
- Do not allow children, or people unfamiliar with the operation of this equipment, on or near it. Do not leave children unsupervised around the equipment.
- Make sure all users wear proper exercise clothing and shoes for their workouts and avoid loose or dangling clothing. Users should not wear shoes with heels or leather soles, and they should check the soles of their shoes to remove any dirt and embedded stones. They should also tie long hair back.
- Never leave the equipment unattended when it is plugged in. Unplug the equipment from its power source when it is not in use, before cleaning it, and before providing authorized service.

**Note:** The optional power adapter is considered a power source for self-powered equipment.

- Use the power adapter provided with the equipment. Plug the power adapter into an appropriate, grounded power outlet as marked on the equipment.
- Care should be taken when mounting or dismounting the equipment.
- Read, understand, and test the emergency stop procedures before use.
- Keep the power cord or optional power adapter and plug away from heated surfaces.
- Route power cables so that they are not walked on, pinched, or damaged by items placed upon or against them, including the equipment itself.
- Ensure the equipment has adequate ventilation. Do not place anything on top of or over the equipment. Do not use on a cushioned surface that could block the ventilation opening.
- Assemble and operate the equipment on a solid, level surface.
- Proper Location for Equipment
  - For all equipment other than treadmills: Locate at least 40 inches (1 meter) away from walls or furniture on either side of the equipment, and 40 inches (1 meter) away from objects behind the equipment.
  - For treadmills: Locate at least 40 inches (1 meter) away from walls or furniture on either side of the treadmill, and at least 80 inches (2 meters) away from objects behind the treadmill.
- Keep equipment away from water and moisture. Avoid dropping anything on or spilling anything inside the equipment to prevent electric shock or damage to the electronics.
- Do not operate electrically powered equipment in damp or wet locations.
- Never operate this equipment if it has a damaged cord or plug, if it is not working properly, or if it has been dropped, damaged, or exposed to water. Call for service immediately if any of these conditions exist.
- Maintain the equipment to keep it in good working condition, as described in the *Maintenance* section of the assembly and maintenance guide. Inspect the equipment for incorrect, worn, or loose components, and then correct, replace or tighten prior to use.

- If you plan to move the equipment, obtain help and use proper lifting techniques. refer to the "Moving the Equipment" section of the assembly and maintenance guide.
- Use the equipment only for its intended purpose as described in this manual. Do not use accessory attachments that are not recommended by Precor. Such attachments may cause injuries.
- Do not operate the equipment where aerosol (spray) products are being used or where oxygen is being administered.
- Do not use outdoors.
- Do not attempt to service the equipment yourself, except to follow the maintenance instructions in this manual.
- Never drop or insert objects into any opening. Keep hands away from moving parts.
- Do not set anything on the stationary handrails, handlebars, control console, or covers. Place liquids, magazines, and books in the appropriate receptacles.
- Do not lean on or pull on the console at any time.



**CAUTION: DO NOT remove the cover, or you may risk injury due to electric shock. Read the assembly and maintenance guide before operating. There are no user-serviceable parts inside. Contact Customer Support if the equipment needs servicing. For use with single phase AC supply only.**

## Educating Users

Take time to educate users about the Important Safety Instructions found in both the *User Reference Manual* and *Product Owner's Manual*. Explain to your club or facility patrons that they should observe the following precautions:

- Hold onto a stationary handrail or handlebar while assuming the starting position on the equipment.
- Face the console at all times.
- Hold on to a stationary handrail or handlebar with one hand whenever you operate the console keys with the other hand.

## Hazardous Materials and Proper Disposal

The batteries within self-powered equipment contain materials that are considered hazardous to the environment. Federal law requires proper disposal of these batteries.

If you plan to dispose of your equipment, contact Precor Commercial Products Customer Support for information regarding battery removal. Refer to *Obtaining Service*.

## Product Recycling and Disposal

This equipment must be recycled or discarded according to applicable local and national regulations.

Product labels, in accordance with European Directive 2002/96/EC concerning waste electrical and electronic equipment (WEEE), determine the framework for the return and recycling of used equipment as applicable throughout the European Union. The WEEE label indicates that the product is not to be thrown away, but rather reclaimed upon end of life per this Directive.

In accordance with the European WEEE Directive, electrical and electronic equipment (EEE) is to be collected separately and to be reused, recycled, or recovered at end of life. Users of EEE with the WEEE label per Annex IV of the WEEE Directive must not dispose of end of life EEE as unsorted municipal waste, but use the collection framework available to customers for the return, recycling, and recovery of WEEE. Customer participation is important to minimize any potential effects of EEE on the environment and human health due to the potential presence of hazardous substances in EEE. For proper collection and treatment, refer to *Obtaining Service*.

## Regulatory Notices for the RFID Module

When equipped with a control console as described in this document, this equipment may include a radio-frequency identification (RFID) module. The RFID module has been certified to operate at temperatures between -20°C and 85°C (-4°F and 185°F).

## Radio Frequency Interference (RFI)

The RFID module conforms to the following national standards defining acceptable limits for radio frequency interference (RFI).

### Federal Communications Commission, Part 15

This equipment has been tested and found to comply with the limits for a Class A digital device, pursuant to Part 15 of the FCC Rules. These limits are designed to provide reasonable protection against harmful interference in a commercial installation. The equipment generates, uses, and can radiate radio frequency energy and, if not installed and used in accordance with the owner's manual instructions, can cause harmful interference to radio communications.

Operation is subject to the following two conditions: (1) this device may not cause harmful interference, and (2) this device must accept any interference received, including interference that may cause undesired operation.

**WARNING** Per FCC rules, changes or modifications not expressly approved by the manufacturer could void the user's authority to operate the equipment.

### Industry Canada

This device complies with RSS-210:2007 of the Spectrum Management & Telecommunications Radio Standards Specification. Operation is subject to the following two conditions: (1) this device may not cause harmful interference, and (2) this device must accept any interference received, including interference that may cause undesired operation.

This Class A digital apparatus complies with Canadian ICES-003.

*Cet appareil numérique de la classe A est conforme à la norme NMB-003 du Canada.*

**ATTENTION: Haute Tension**  
**Débranchez avant de réparer**

### European Applications

CE compliance is claimed to the following directives:

- 1999/5/EC R&TTE Directive
- 2006/95/EC LVD Directive
- 2002/95/EC RoHS Directive

Directive compliance has been verified to the following standards:

- EN 55022
- EN 300 330-1 V1.5.1
- EN 300 330-2 V1.3.1
- EN 301 489-3 V1.4.1
- EN 301 489-1 V1.8.1
- EN 60950-1

## Regulatory Notices for Cardiovascular Exercise Equipment

The regulatory information in this section applies to the exercise equipment and its control console.

### Safety Approvals for Cardiovascular Equipment

Precor equipment has been tested and found to comply with the following applicable safety standards.

#### Cardiovascular Type Equipment:

- CAN/CSA, IEC, EN 60335-1 (Household and similar electrical appliances - Safety)
- EN 957 (Stationary training equipment, class S/B compliant equipment)

## Radio Frequency Interference (RFI)

This Precor exercise equipment conforms to the following national standards defining acceptable limits for radio frequency interference (RFI).

### Federal Communications Commission, Part 15

This equipment has been tested and found to comply with the limits for a Class A digital device, pursuant to Part 15 of the FCC Rules. These limits are designed to provide reasonable protection against harmful interference in a commercial installation. The equipment generates, uses, and can radiate radio frequency energy and, if not installed and used in accordance with the owner's manual instructions, may cause harmful interference to radio communications.

**WARNING** Per FCC rules, changes or modifications not expressly approved by Precor could void the user's authority to operate the equipment.

### Industry Canada

This Class A digital apparatus complies with Canadian ICES-003.

*Cet appareil numérique de la classe A est conforme à la norme NMB-003 du Canada.*

**ATTENTION: Haute Tension**  
**Débranchez avant de réparer**

### European Applications

CE compliance is claimed to the following directives:

- 2004/108/EC EMC Directive
- 2006/95/EC LVD Directive
- 2002/95/EC RoHS Directive

Directive compliance has been verified to the following standards:

- EN 55022
- EN 55024
- EN 60335-1
- EN 60065 (P80 and PVS)

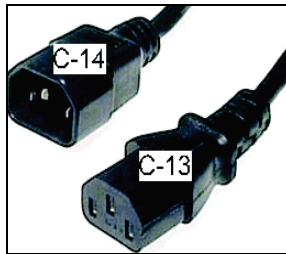


## Electrical Recommendations: All Equipment Excluding Treadmills

**Note:** This is a recommendation only. NEC (National Electric Code) guidelines or local region electric codes must be followed.

For equipment fitted with a P80 console or Personal Viewing System (PVS) screen a separate power connection is required. For a 20 amp branch circuit up to 10 screens can be connected. If the branch circuit has any other devices plugged into the circuit the number of screens must be reduced by the wattage of the other devices.

**Note:** The typical splitter power cords that have IEC-320 C13 and C14 plugs have a recommended maximum capacity of five screens.



**Figure 1: IEC-320 C13 and C14 plugs**

## Obtaining Service

Do not attempt to service the equipment except for maintenance tasks. If any items are missing, contact your dealer. For more information regarding customer support numbers or a list of Precor authorized service centers, visit the Precor web site at <http://www.precor.com>.

## Obtaining Updated Documentation

Current documentation for Experience Series consoles and Preva Networked Fitness software is available at <http://www.precor.com/productmanuals>. You may want to check in for updated information from time to time as the universe of Preva features expands.

# Table of Contents

|  |           |
|--|-----------|
| <b>Important Safety Instructions .....</b>                             | <b>3</b>  |
| Safety Precautions.....  | 3         |
| Educating Users .....  | 5         |
| Hazardous Materials and Proper Disposal.....                           | 6         |
| Product Recycling and Disposal .....                                   | 6         |
| Regulatory Notices for the RFID Module .....                           | 6         |
| Regulatory Notices for Cardiovascular<br>Exercise Equipment .....      | 8         |
| Electrical Recommendations: All Equipment<br>Excluding Treadmills..... | 10        |
| Obtaining Service.....   | 10        |
| Obtaining Updated Documentation .....                                  | 10        |
| <b>Assembling the Climber .....</b>                                    | <b>13</b> |
| Unpacking the Equipment.....   | 13        |
| Preparing for Installation .....                                       | 13        |
| Assembling the Climber .....   | 15        |
| Attaching the Handrails.....   | 20        |
| Making Sure the Unit Is Stable.....                                    | 22        |
| <b>Installing the Console .....</b>                                    | <b>23</b> |
| Threading the Cable Assembly.....                                      | 23        |
| Connecting Cables (P30).....   | 25        |
| Completing the Console Installation .....                              | 26        |
| Verifying That the Heart Rate Display Is Operational .....             | 26        |
| <b>Maintenance .....</b>   | <b>27</b> |
| Daily Cleaning.....  | 27        |
| Daily Inspection.....  | 28        |
| Storing the Chest Strap .....  | 28        |
| Moving the Equipment.....  | 29        |
| Long-Term Storage .....  | 29        |

|  |               |
|--|---------------|
| <b>Self-Powered Features .....</b>                                   | <b>31</b>     |
| Informational Displays Prior to Shutdown .....                       | 32            |
| Symptoms of a Low Battery .....                                      | 32            |
| Using the Optional Power Adapter .....                               | 33            |
| The Optional Power Adapter Kit.....                                  | 33            |
| Replacing the Battery .....  | 34            |
| <br><b>Commercial Cardiovascular Equipment Limited Warranty ....</b> | <br><b>35</b> |

# Assembling the Climber

Thank you for choosing Precor. For proper installation, please read this guide thoroughly and follow the assembly instructions. If you do not assemble the climber according to these guidelines, you could void the Precor Limited Warranty.

## Unpacking the Equipment

Ask for help from two or more people to unpack and assemble the climber.

## Preparing for Installation

**DANGER** Do not attempt to connect electrical power until all assembly procedures are complete and the console is properly installed.

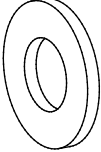
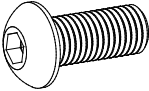
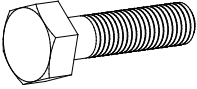
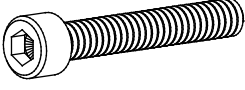
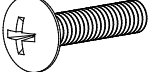
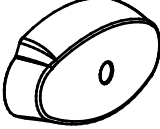
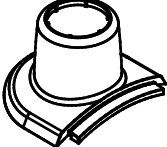
Follow these installation requirements when assembling the unit:

- Assemble the unit near the location where you plan to use it.
- Provide ample space around the unit. Open space around the unit allows for easier access.
- Set up the unit on a solid, flat surface. A smooth, flat surface under the unit helps keep it level. A level unit has fewer malfunctions.
- Open the box and assemble the components in the sequence presented in this guide.
- Insert all fasteners with your fingers. Use your fingers to properly align and thread the fasteners. This helps alleviate cross-threading. Do not fully wrench tighten fasteners until instructed to do so.

**Important:** When wrench tightening, the head of the fastener should be flush with the product. If it is not, cross-threading has occurred. Do not attempt to rework the assembly as more damage to the equipment will occur. Contact Customer Support. Refer to Obtaining Service.

- If you plan to move the unit, obtain help and use a hand truck. Do not grasp any plastic parts while lifting or moving the unit. The plastic parts are not capable of supporting the weight of the unit and they may break.

Hardware Kit (not to scale)

| Fasteners   | Quantity  |   |
|---|---|---|
|    | Washer (5/16-inch inside diameter, 0.688-inch outside diameter) | 4 |
|    | Buttonhead screw (1/2-inch)                                     | 6 |
|    | Hex head screw (1-inch)   | 4 |
|   | Sockethead cap screw (1 1/4-inch)                               | 2 |
|  | Phillips-head screw (3/4-inch)                                  | 3 |
|  | End cap   | 2 |
|  | Lower handrail boot   | 2 |

## Required Tools

Before beginning the installation, make sure you have the following tools available:

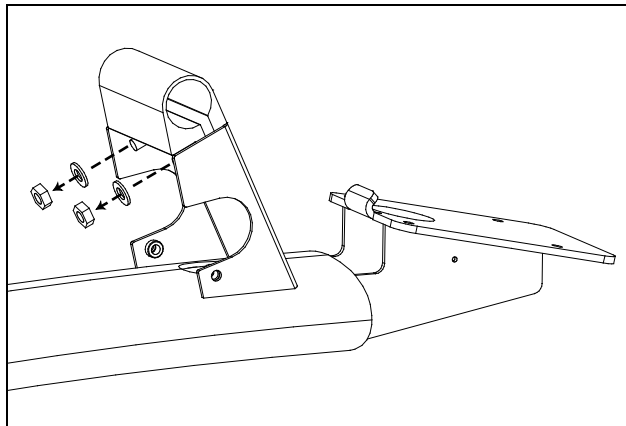
- Wire tie cutter
- Phillips screwdriver
- One ½-inch combination wrench (open-end or box-end)
- SAE Standard socket set
- Standard set of hex keys

## Assembling the Climber

A fish tape (a thin metal strip with a hook or clasp on one end, available from professional hardware vendors) can be helpful during this procedure.

### To assemble the main climber mechanism:

1. Place the upright support on a flat work surface.
2. Remove the two hex nuts and washers that secure the handrail clamp, then set them aside.



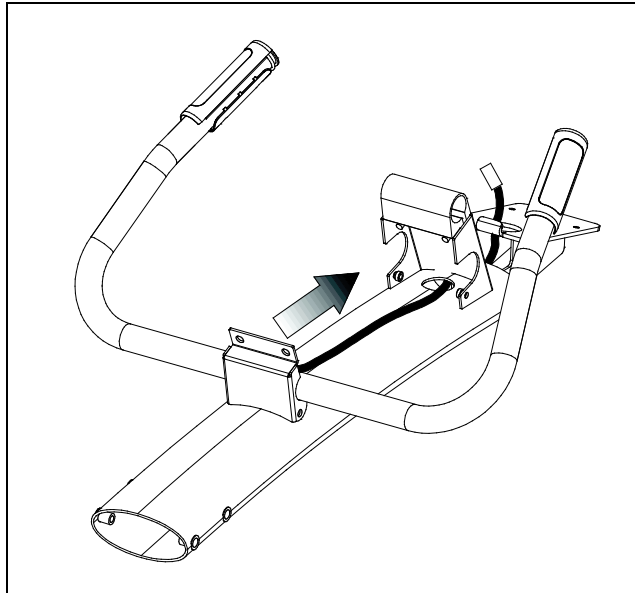
**Figure 2: Removing handrail clamp nuts**

3. While your assistant holds the heart rate handlebar near the display console, feed the heart rate cable through the opening in the upright support. Pull the end of the cable out through the top of the support and pass it through the opening in the console mount as shown in the following illustration. Place excess cable inside the upright support.

**Important:** Do not stretch, crimp, or damage the cables. Cables damaged by improper installation will not be covered by the Precor Limited Warranty.

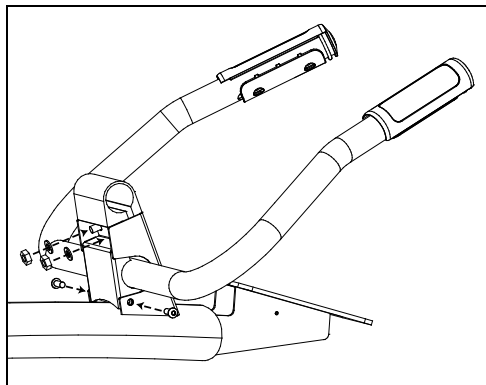
4. Insert the handlebar flange onto the screws protruding through the handrail clamp). Rotate the handlebar to align it with the side screw holes.

**CAUTION: Hold the handlebar upright until it is securely fastened in step 6.**



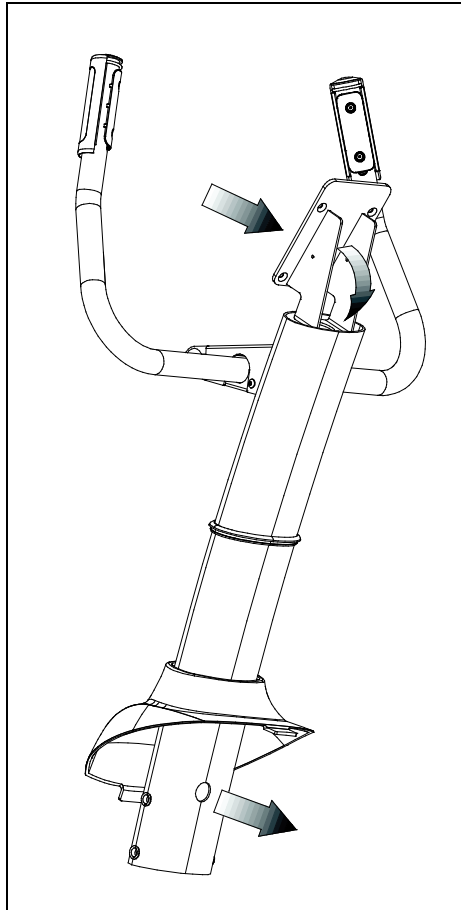
**Figure 3: Threading the heart rate cable and moving the handlebar into place**

5. Thread the two hex nuts and washers (removed earlier) back onto the screws.
- Important:** Do not tighten the two hex nuts at this time.
6. Attach and fully tighten two buttonhead screws to secure the handlebars, as shown in the following illustration.



**Figure 4: Securing the handlebars in place**

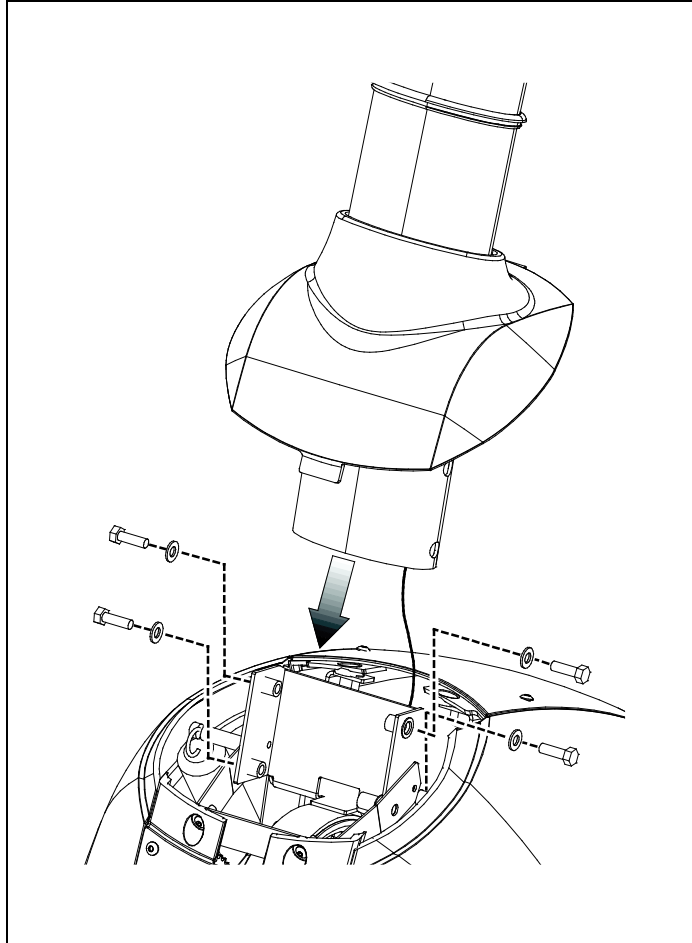
7. Slide the plastic top cover onto the upright support.  
**Important:** *The correct orientation of the plastic top cover is shown in the following illustration.*
8. Retrieve the cable assembly from the console container and remove any packaging ties. Feed the cable assembly through the opening in the console mount, then down through the upright support, and finally out through the opening in the lower back of the support, as shown in the following illustration.



**Figure 5: Routing cables through the upright support**



9. Ask your assistant to hold the upright support while you attach it to the base frame using four hex head screws and four washers. Using a ½-inch box wrench or open-end wrench, tighten the four fasteners in alternating order until all four are fully secured.

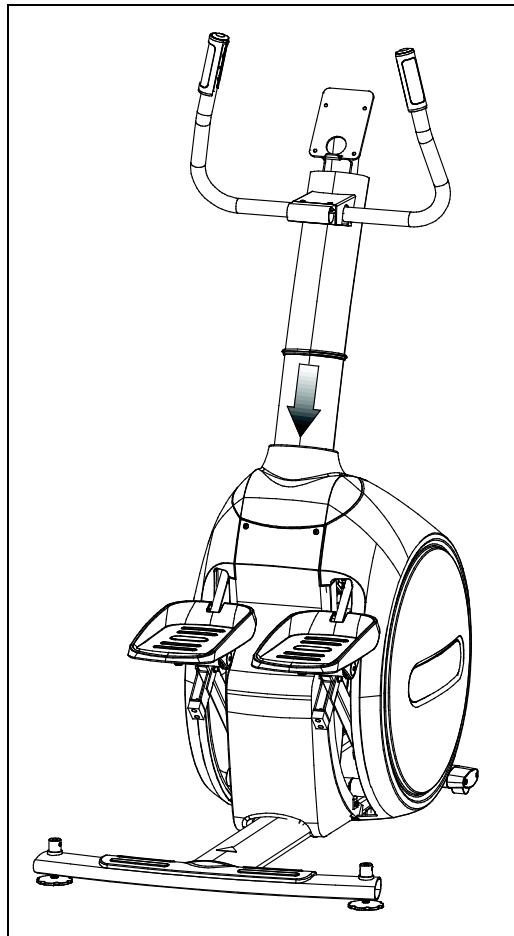


**Figure 6: Securing the upright support to the climber base**

**CAUTION:** In the following step, be careful to avoid the sharp edges on the metal bracket. Do not injure yourself when you connect the cable.

10. Connect the console power cable to its receptacle on the base frame.
11. Lower the plastic top cover. Tip the cover to insert the front tab, then align the rear tab. Apply pressure to lock the rear tab in place.

12. Slide the rubber grommet onto the plastic top cover, as shown in the following illustration. Apply pressure to snap it into place.



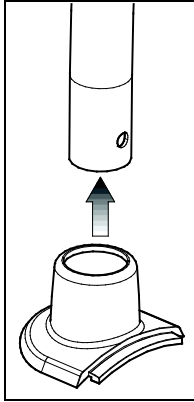
**Figure 7: Sliding the grommet into place**

## Attaching the Handrails

Use the following procedure to install the external handrails on the climber.

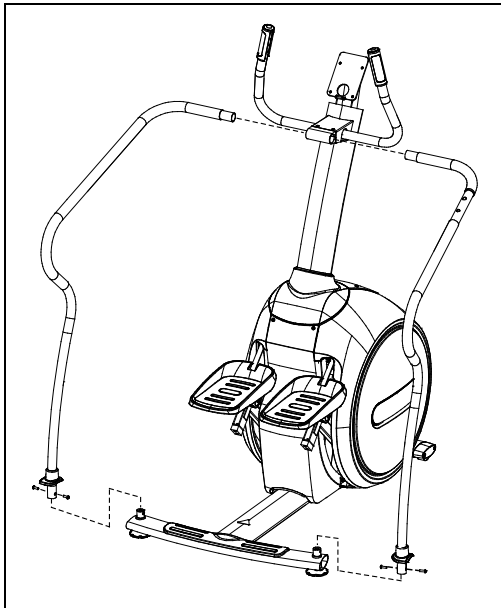
### To attach the handrails:

1. Slide a lower handrail boot onto each handrail.



**Figure 8: Adding the handrail boot**

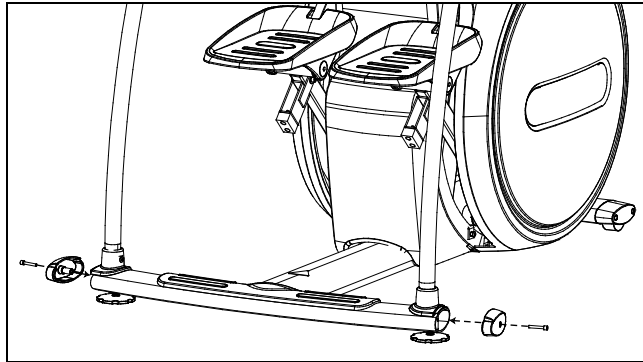
2. Insert the lower handrails onto the base pegs, then slide the upper portions of the handrails into the handrail clamp until the foam pads touch the clamp.



**Figure 9: Attaching the handrails**

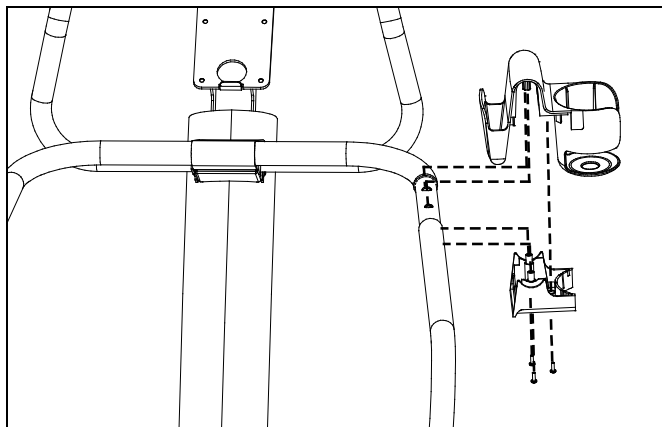
3. Secure the lower handrails using four buttonhead screws and a  $\frac{5}{32}$ -inch hex key. Fully tighten the fasteners.
4. Using a  $\frac{1}{2}$ -inch socket wrench, tighten the two nuts beneath the upper handrail clamp until the handrails cannot be pulled out of the clamp.
5. Position the two lower handrail boots so that the lip on each boot faces outward. Slide the boots down onto the rear crossbar.
6. Position the end caps so that they cover the ends of the rear crossbar and the lips on the lower handrail boots. Attach the end caps using two socket head cap screws and a  $\frac{5}{32}$ -inch hex key. Tighten the fasteners completely.

**Important:** The lip of each lower handrail boot should fit beneath the end cap.



**Figure 10: Attaching the end caps**

7. Position the water bottle holder as shown and attach it to the right handrail. Secure the holder using three Phillips-head screws and a Phillips screwdriver.



**Figure 11: Attaching the bottle holder**

8. Clean the foot steps, plastic covers and upright support with a soft cloth or wipe moistened with an appropriate cleaning solution. For more information about which cleaners to use, refer to *Daily Cleaning*.
9. Level the climber as described in the section *Making Sure the Unit Is Stable*.

**Important:** Do not allow anyone to use the climber until it has been leveled and made stable.

## Making Sure the Unit Is Stable

Make sure the unit is level before allowing anyone to use it.

**CAUTION: To eliminate movement, make sure the adjustable feet are in contact with the floor.**

### To level the unit:

1. Gently rock the unit. If there is any movement, ask your assistant to tip the unit to one side while you locate the adjustable feet.
2. Correct the height of each adjustable foot as follows.

*If you want to ... Then turn the adjustable feet ...*

Raise the unit    Counterclockwise

Lower the unit    Clockwise

**Important:** Place the unit on a flat surface. Rotating the adjustable feet cannot compensate for extremely uneven surfaces.

When you are finished adjusting the unit, place the unit on the floor and recheck that it is level.

# Installing the Console

To make installation easier, all Precor Experience Series consoles use the same mounting hardware and connector locations whenever possible. The installation sequence for any of them is as follows:

- Threading the cable assembly
- Connecting cables
- Completing the installation (tightening the mounting screws and attaching the back cover)

The following sections describe how to perform these tasks.

## Threading the Cable Assembly

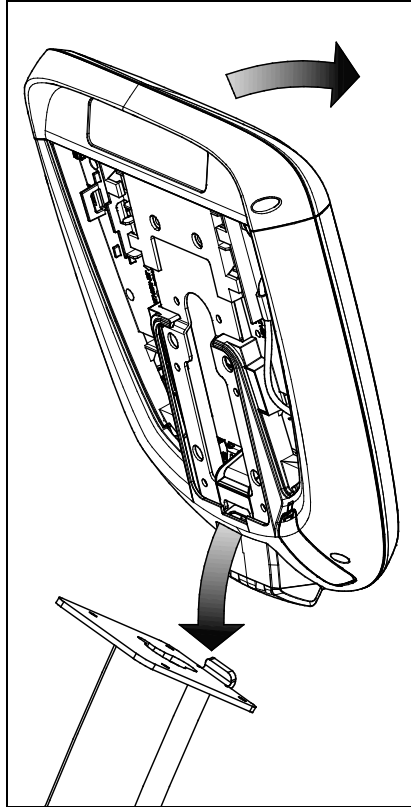
Earlier in the installation, you threaded the necessary cables through the frame of the base unit and out the passthrough opening in the console mount. As you line up the back plate on the console with the console mount, you must make sure that the cable assembly passes correctly through the openings in both components.

**Important:** *Before you begin the following procedure, remove the rear cover from the control console. Set the cover and its mounting hardware aside for later use.*

### **To thread the cable assembly:**

1. Make sure that as much of each cable as possible passes through the opening in the middle of the console mount on the base unit.
2. Position the console over the console mount.

3. Rest the console on the console mount so that the notch on the bottom of the console's back plate rests on the rectangular hook at the bottom of the console mount, as shown in the following figure.

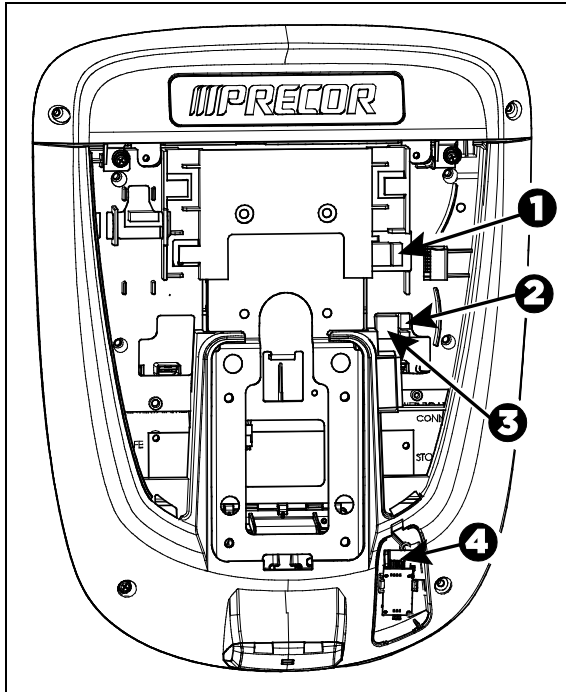


**Figure 12: Console positioning on base unit**

4. Tilt the console forward until it stops. Use one hand to steady the console in this position, or ask your assistant to do so.
5. Pull all cables upward and forward until you can drape them over the top of the console's back plate.

## Connecting Cables (P30)

After the console has been seated, separate the individual cables out of the end of the cable assembly and attach them to the appropriate circuit connectors inside the console. Refer to the following diagram and table to identify the cables and connectors.



**Figure 13: Cable connections, P30 console**

**Table 1. P30 internal cable connections**

| Cable                              | Connector Type                            | Circuit Connector Location |
|------------------------------------|---|----------------------------|
| Safety key (treadmills only)       | Six-contact strip, keyed                  | <b>1</b>                   |
| Auto Stop sensor (treadmills only) | Four-contact strip, keyed                 | <b>2</b>                   |
| Data from base unit                | Eight-contact modular, on flat gray cable | <b>3</b>                   |
| Heart rate sensors                 | Four-contact strip, keyed                 | <b>4</b>                   |



## Completing the Console Installation

Before you complete the final installation steps, double-check the connections you have made. Make sure that all cables are fully and securely connected, and that any unneeded cables are tied back properly.

### To complete the installation:

1. Feed extra cable back into the neck tube.
2. Tilt the control console backward (toward yourself) until the tab on the top edge of its back plate slides along the top edge of the console mount and the screw holes align properly.
3. Insert the four  $\frac{5}{8}$ -inch flat head screws through the holes in the console mount and thread them into the holes in the back plate on the console. Partially tighten the screws using a  $\frac{5}{8}$ -inch hex wrench.
4. Line up the two small tabs at the bottom of the console's back cover with the slots at the bottom of the console case. Insert the tabs into the slots.
5. Insert the two #8-32 x  $\frac{1}{2}$ -inch Phillips-head screws that you removed earlier into the holes at the top edge of the console's back cover. Tighten the screws fully.  
**Important:** Use caution not to pinch the cables between the back cover and PVS mounting screw heads.
6. Fully tighten the four mounting screws (partially tightened in step 3) using a  $\frac{5}{32}$ -inch hex wrench.

## Verifying That the Heart Rate Display Is Operational

### To verify that the heart rate display is operational:

1. Begin exercising on the equipment.
2. Grasp both touch-sensitive handlebars.  
**Note:** The heart rate is read within ten seconds. During that time, the heart on the display flashes.
3. Look at the HEART RATE display. After a few seconds, a number appears indicating your heart rate.
4. If a number does not appear in the HEART RATE display, check the cable connection to make sure it is properly connected.

# Maintenance

To keep the equipment functioning properly, perform the minor maintenance tasks in this section at the intervals shown on the maintenance checklist. Failure to maintain the equipment as described in this section could void the Precor Limited Warranty.

**DANGER** To reduce the risk of electrical shock, always disconnect the equipment from its power source before cleaning it or performing any maintenance tasks. If the equipment is self-powered but also uses the optional power adapter, disconnect the adapter.

## Daily Cleaning

Precor recommends that you clean the equipment before and after each exercise session. To remove dust and dirt from the equipment, wipe all exposed surfaces with a soft cloth that you have moistened with one of the following cleaners:

- A solution of 30 parts of water to 1 part of Simple Green® (for more information, visit [www.simplegreen.com](http://www.simplegreen.com))
- ENVIR-O-SAFE oxygen enhanced cleaner or multi-task cleaner concentrate, diluted according to the manufacturer's instructions (for more information, visit [www.daleyinternational.com](http://www.daleyinternational.com))

Alternatively, you can clean the equipment with Athletix fitness equipment cleaning wipes (for more information, visit [www.athletixproducts.com](http://www.athletixproducts.com))

**CAUTION: Read and follow the manufacturer's instructions, particularly dilution instructions, before using any cleaner on Precor fitness equipment. Do not use concentrated cleaners at full strength, or acidic cleaners of any kind; such cleaners weaken the protective finish on the equipment and void the Precor Limited Warranty. Never pour water or spray liquids onto any part of the equipment. Allow the equipment to dry completely before using.**

Vacuum the floor underneath the equipment frequently to prevent the accumulation of dust and dirt that can interfere with its operation. Use a soft nylon scrub brush to clean the grooves on equipment with foot pedals.

## Daily Inspection

At least once every day, examine the equipment for the following problems:

- Slipping belts
- Loose fasteners
- Unusual noises
- Worn or frayed power cords
- Any other indication that the equipment may be in need of service

**Important:** *If you determine that the equipment needs service, disconnect all power connections (television, Ethernet, and power) and move the equipment away from the exercise area. Place an OUT OF SERVICE sign on the equipment and make it clear to all patrons and other users that they must not use it.*

To order parts or to contact a Precor authorized service provider in your area, refer to *Obtaining Service*.

## Storing the Chest Strap

If you purchased the optional heart rate chest strap, store it in a place where it remains free of dust and dirt (for example, in a closet or drawer). Be sure to protect the chest strap from extremes in temperature. Do not store it in a place that may be exposed to temperatures below 32° F (0° C).

To clean the chest strap, use a sponge or soft cloth dampened in mild soap and water. Dry the surface thoroughly with a clean towel.

## Moving the Equipment

The equipment is very heavy. If you plan to move it to a new location, obtain the help of an adult assistant and use proper lifting techniques. If the equipment includes roller wheels on one end, use the wheels to reduce the load on yourself and your assistant.

### **To move the climber:**

1. Disconnect, unplug, and remove all external connections (television, Ethernet, and power).
2. Grasp the climber by its upright support and tip it forward onto its roller wheels.
3. Push the climber into its new location.
4. Lower the rear foot supports to the floor.
5. Push the climber back and forth to verify that it sits flat on the floor. If it rocks at all, or if it does not appear to be level, correct it by adjusting its rear feet.

## Long-Term Storage

If you do not expect anyone to use the equipment for a long time, perform the following tasks to prepare it for storage:

- If it has a power cord, disconnect the cord.
- If it has an optional power adapter, connect the adapter to prevent damage to the internal battery.
- Position it so that it will not become damaged and will not interfere with people or other equipment.



## Self-Powered Features

**Important:** This chapter of the manual describes Precor fitness equipment that can operate without being connected to AC power. This includes units equipped with P40 or P20 consoles. However, P80 consoles must be connected to AC power through their power supplies to operate. For this reason, this chapter does not apply to units equipped with P80 consoles.

On self-powered equipment, the system initializes and displays the Welcome screen when a user starts exercising. A minimum rate of motion must be maintained for the banner to appear, as shown in the following table. When a person meets the requirements, the power that is generated allows the equipment to function properly.

**Table 2. Minimum requirements for operation**

| Equipment | Rate of Motion                  |
|-----------|---------------------------------|
| AMT       | 56 strides per minute (SPM)     |
| EFX       | 40 strides per minute (SPM)     |
| Climber   | 30 steps per minute             |
| Bike      | 20 revolutions per minute (RPM) |

Informational displays appear when the battery is low or when the rate of motion drops below the minimum requirements. The display explains what to do to retain power. If the messages are ignored, the equipment begins shutdown procedures to maintain the charge of the battery. Refer to *Informational Displays Prior to Shutdown*.

An optional power adapter can be purchased and provides sustained power to the equipment. If you plan to change the club settings, the power adapter is highly recommended. To purchase the optional power adapter, check with your dealer. Refer to *Obtaining Service*.

## Informational Displays Prior to Shutdown

The equipment saves its battery charge by moving into a shutdown mode. If the user does not maintain the minimum rate of motion, a 30-second shutdown process begins.

In this mode, the console displays a countdown indicator and ignores all keypresses. If no movement is detected or the rate of motion remains below the minimum, the indicator changes as the countdown continues.

**Note:** The user can resume exercising before the countdown period elapses and the program will continue from the point at which it was paused.

**Important:** *If the equipment is connected to a CSAFE master device, it follows a slightly different shutdown process. Ten seconds before the equipment shuts down, it ends the exercise session and displays a reset message while it disconnects from the CSAFE master device. It ignores all keypresses during these last ten seconds.*

## Symptoms of a Low Battery

If no one has used the equipment for an extended period of time, the battery may need recharging.

Symptoms of a low battery include the following:

- A flickering or erratic display
- Loss of user and program information after the user stops exercising, without any display of a workout summary or a notification of pending shutdown

**Important:** *To maintain a constant power source, use the optional power adapter.*

## Using the Optional Power Adapter

After connecting the power adapter to the equipment, plug the opposite end into the appropriate power source (120 V or 240 V).

**CAUTION: When the optional power adapter is in use, make sure that the power supply cord does not create a safety hazard. Keep it out of the way of traffic and moving parts. If the power supply cord or power conversion module is damaged, it must be replaced.**

The control console functions differently when the power adapter is connected. Because the power adapter provides a constant source of power, a user can pause for brief periods without initiating shutdown procedures. When the pause time limit expires and the user has not resumed exercising, the console returns to the Welcome screen. The default pause time is 30 seconds for all fitness equipment. Refer to the manual for your control console for instructions on setting or changing the pause time limit. To learn how to install the power adapter, refer to *The Optional Power Adapter Kit*.

## The Optional Power Adapter Kit

If you purchase the optional power adapter, you must also purchase the internal cable kit. The kit supplies the cable, bracket, and fasteners that connect the power adapter to the lower electronics board.

**CAUTION: The internal cable kit must be installed by authorized service personnel. Do not attempt installation on your own as you could void the Precor Limited Warranty. For more information, refer to *Obtaining Service*.**

**Important:** *If this equipment includes a P80 console, the optional power adapter and the internal cable kit must still be installed to provide continuous power to the base unit and support its internal battery.*

Once the internal cable kit is installed, you can plug the optional power adapter into the equipment. Plug the opposite end into the appropriate power source for your equipment (120 V or 240 V). Review the safety instructions found at the beginning of this manual before using the power adapter.



## Replacing the Battery

The equipment's battery is built to last for a long time. However, if you feel that the battery may need replacing, check with an authorized service technician. Refer to *Obtaining Service*.

**CAUTION: The battery stored inside the equipment contains hazardous materials and must be disposed of according to Hazardous Waste Regulations. Refer to *Hazardous Materials and Proper Disposal*.**

# Commercial Cardiovascular Equipment Limited Warranty

PLEASE READ THESE WARRANTY TERMS AND CONDITIONS CAREFULLY BEFORE USING YOUR PRECOR INCORPORATED PRODUCT. BY USING THE EQUIPMENT, YOU ARE CONSENTING TO BE BOUND BY THE FOLLOWING WARRANTY TERMS AND CONDITIONS.

## Limited Warranty.

Precor Incorporated warrants all new Precor products to be free from defects in materials and manufacture for the warranty periods set forth below. The warranty periods commence on the invoice date of the original purchase. This warranty applies only against defects discovered within the warranty period and extends only to the original purchaser of the product. Parts repaired or replaced under the terms of this warranty will be warranted for the remainder of the original warranty period only. To claim under this warranty, the buyer must notify Precor or your authorized Precor dealer within 30 days after the date of discovery of any nonconformity and make the affected product available for inspection by Precor or its service representative. Precor's obligations under this warranty are limited as set forth below.

## Warranty Periods and Coverage.

All Commercial Cardiovascular Products (excluding StretchTrainer, Strength Products, and coverage specific to certain models and options as defined below):

- Frame: 7 years
- Treadmill drive motor: 5 years
- Items subject to wear: 1 year
- All other parts (including mechanical parts and electronic parts): 2 years
- Labor: 1 year

880 Line Commercial Cardiovascular Products (superseding the coverage above where applicable):

- Labor on the P80 console: 2 years
- High wear items on the P80 console, including headphone jack, USB connector, and iPod® connector: 90 days

### Options / Accessories

Many options or accessories have components that are connected internally or mounted inside the electronic console. The following guidelines determine the warranty for these components. If the internal components are installed by the factory or by an authorized dealer as part of the original sale and delivery, they have a warranty that is identical to the warranty of the equipment in which they are connected or mounted. If the internal components are not installed by the factory or by an authorized dealer as part of the original sale and delivery, they have a 90 days parts and labor limited warranty. All components that are not internally connected have a 90 days parts only limited warranty. Satisfactory proof of purchase is required in all cases.

### Conditions and Restrictions.

This warranty is valid only in accordance with the conditions set forth below:

1. The warranty applies to the Precor product only while
  - a. it remains in the possession of the original purchaser and proof of purchase is demonstrated.
  - b. it has not been subjected to accident, misuse, abuse, improper service, or non-Precor modification.
  - c. claims are made within the warranty period.
2. This warranty does not cover damage or equipment failure caused by electrical wiring not in compliance with electrical codes or Precor owner's manual specifications, or failure to provide reasonable and necessary maintenance as outlined in the owner's manual.
3. Precor is not responsible for Internet connectivity to its products. This restriction applies to services, such as those provided by an Internet service provider (ISP), and also to hardware related to Internet connectivity, such as Ethernet cabling, routers, servers and switches.
4. Precor is not responsible for the quality of television, video, audio, or other media supplied to its products. This restriction applies to services, such as those provided by a cable or satellite television provider; to signal strength and clarity; and also to hardware related to the reception and delivery of television, video, audio, and other media. Such hardware can include (but is not limited to) audio, video, and radio-frequency (RF) cabling, connectors, receivers, modulators, combiners, distribution amplifiers, splitters, and so on.
5. Precor cannot guarantee that the heart rate measurement system on its products will work for all users. Heart rate measurement accuracy varies based on a number of factors, including the user's physiology and age, the method in which the heart rate measurement system is used, external interference, and other factors that may influence heart rate acquisition.
6. Except in Canada, Precor does not pay labor outside the United States.
7. Warranties outside the United States and Canada may vary. Please contact your local Dealer for details.

This Limited Warranty shall not apply to:

1. Software version upgrades.
2. Software defects that do not materially and negatively affect the normal performance of the product under normal conditions of use.
3. Consumable goods or cosmetic items of the product, the exterior of which has been damaged or defaced as a result of abuse, misuse, accident, improper service or installation, mishandling, or modification in design or construction not authorized by Precor.
4. Repairs performed on Precor equipment missing a serial number or with a serial tag that has been altered or defaced.
5. Service calls to correct installation of the equipment or instruct owners on how to use the equipment.
6. Pickup and delivery involved with repairs.
7. Any labor costs incurred beyond the applicable labor warranty period.

#### Disclaimer and Release.

The warranties provided herein are the exclusive warranties given by Precor and supersede any prior, contrary or additional representations, whether oral or written. ANY IMPLIED WARRANTIES, INCLUDING THE WARRANTY OF MERCHANTABILITY OR FITNESS FOR A PARTICULAR PURPOSE THAT APPLY TO ANY PARTS DESCRIBED ABOVE ARE LIMITED IN DURATION TO THE PERIODS OF EXPRESS WARRANTIES GIVEN ABOVE FOR THOSE SAME PARTS. PRECOR HEREBY DISCLAIMS AND EXCLUDES THOSE WARRANTIES THEREAFTER. Some States do not allow limitations on how long an implied warranty lasts, so the above limitation may not apply to you. PRECOR ALSO HEREBY DISCLAIMS AND EXCLUDES ALL OTHER OBLIGATIONS OR LIABILITIES, EXPRESS OR IMPLIED, ARISING BY LAW OR OTHERWISE, WITH RESPECT TO ANY NONCONFORMANCE OR DEFECT IN ANY PRODUCT, INCLUDING BUT NOT LIMITED TO: (A) ANY OBLIGATION, LIABILITY, RIGHT, CLAIM OR REMEDY IN TORT, WHETHER OR NOT ARISING FROM THE NEGLIGENCE OF PRECOR OR ITS SUPPLIERS (WHETHER ACTIVE, PASSIVE OR IMPUTED); AND (B) ANY OBLIGATION, LIABILITY, RIGHT, CLAIM OR REMEDY FOR LOSS OF OR DAMAGE TO ANY EQUIPMENT. This disclaimer and release shall apply even if the express warranty set forth above fails of its essential purpose.

#### Exclusive Remedies.

For any product described above that fails to conform to its warranty, Precor will provide, at their option, one of the following: (1) repair; (2) replacement; or (3) refund of the purchase price. Precor Limited Warranty service may be obtained by contacting the authorized dealer from whom you purchased the item. Precor compensates Servicers for warranty trips within their normal service area to repair commercial equipment at the customer's location. You may be charged a trip charge outside the service area. THESE SHALL BE THE SOLE AND EXCLUSIVE REMEDIES OF THE BUYER FOR ANY BREACH OF WARRANTY.

### EXCLUSION OF CONSEQUENTIAL AND INCIDENTAL DAMAGES.

PRECOR AND/OR ITS SUPPLIERS SHALL HAVE NO OBLIGATION OR LIABILITY, WHETHER ARISING IN CONTRACT (INCLUDING WARRANTY), TORT (INCLUDING ACTIVE, PASSIVE, OR IMPUTED NEGLIGENCE AND STRICT LIABILITY), OR OTHERWISE, FOR DAMAGE TO THE EQUIPMENT, PROPERTY DAMAGE, LOSS OF USE, REVENUE OR PROFIT, COST OF CAPITAL, COST OF SUBSTITUTE EQUIPMENT, ADDITIONAL COSTS INCURRED BY BUYER (BY WAY OF CORRECTION OR OTHERWISE) OR ANY OTHER INCIDENTAL, SPECIAL, INDIRECT, OR CONSEQUENTIAL DAMAGES, WHETHER RESULTING FROM NONDELIVERY OR FROM THE USE, MISUSE OR INABILITY TO USE THE PRODUCT. This exclusion applies even if the above warranty fails of its essential purposes and regardless of whether such damages are sought for breach of warranty, breach of contract, negligence, or strict liability in tort or under any other legal theory. Some states do not allow the exclusion or limitation of incidental or consequential damages, so the above limitation may not apply to you.

This warranty gives you specific legal rights, and you may also have other rights, which vary from state to state.

Complete this portion and keep for your records.

Purchased From:

\_\_\_\_\_  
*Example: Dealer or store name.*

Phone Number:

\_\_\_\_\_  
*Example: Dealer or store telephone number.*

Product/model:

\_\_\_\_\_  
*Example: AMT 885 or EFX 883.*

Serial number:

\_\_\_\_\_  
*The serial number is found on the shipping container.*

Effective 1 November 2010  
P/N 36286-114











Precor Incorporated  
20031 142nd Avenue NE  
P.O. Box 7202  
Woodinville, WA USA 98072-4002

CLM PAG/OM 300714-241 rev E  
Warranty #36286-114  
14 February 2011